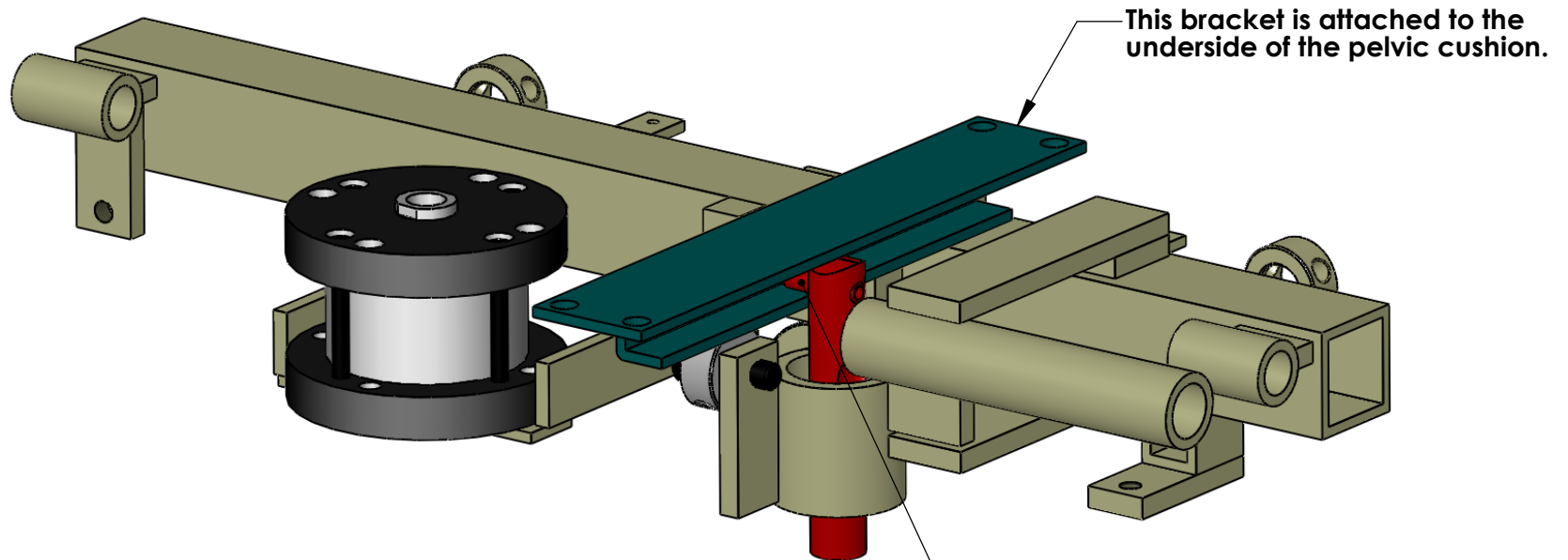


# AIR FLEX - Pelvic Cushion Cocks Up But Does Not Stay Up



The roll pin located on your drop pin came out of the track. When the cushion is pushed up by the pancake air cylinder the pin is not being pulled up to engage the steel ball in the detent of the pin.

Loosen the tension knob so that you can rotate the drop pin, pointing the roll pin in toward the bracket as shown.

**PROPRIETARY AND CONFIDENTIAL**

THE INFORMATION CONTAINED IN THIS DRAWING IS THE SOLE PROPERTY OF HILL LABORATORIES COMPANY. ANY REPRODUCTION IN PART OR AS A WHOLE WITHOUT THE WRITTEN PERMISSION OF HILL LABORATORIES IS PROHIBITED.

DRAWN

NAME

B Rickards

DATE

4/22/04

**HILL LABORATORIES**

3 Bacton Hill Rd., P.O.Box 2028  
Frazer, PA 19355  
Ph.(610)644-2867 Fx.(610)647-6297

SHEET 1 OF 1