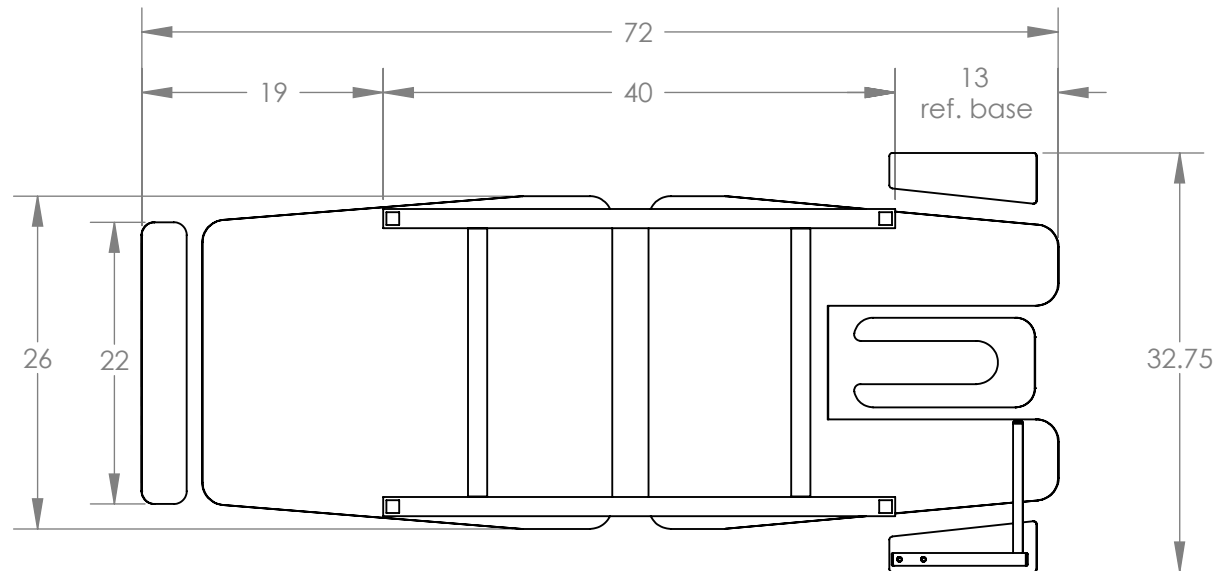
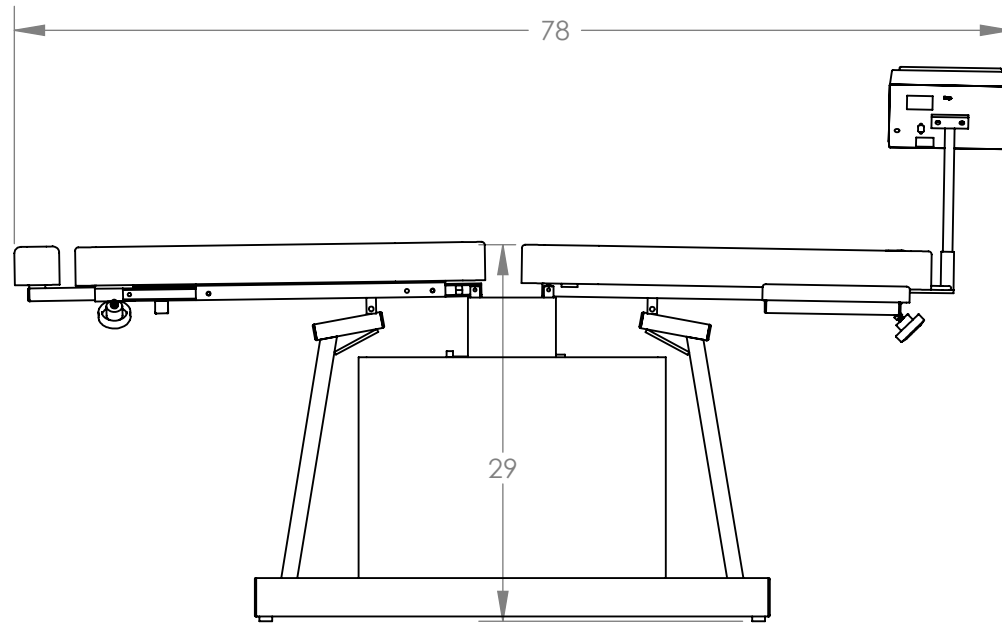
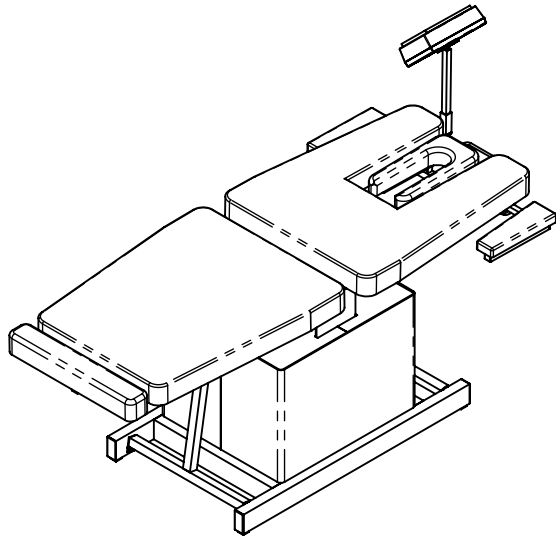


# R.M.T.



HILL LABORATORIES

3 Bacton Hill Rd., P.O.Box 2028  
Frazer, PA 19355  
Ph.(610)644-2867 Fx.(610)647-6297