

Hill HA90V

Vascular Diagnostic,
Endovenous and
Echocardiogram




Hill Laboratories
COMPANY

REFERENCE MANUAL

Congratulations!

And welcome to the Hill Laboratories family.

Hill Laboratories Company has been making

quality a family business since 1945.

Your Hill HA90V Table is built in a tradition of

innovation and value that Hill Laboratories products

have become known for.

Our good name rests on the confidence that

your Hill Chair will provide you with solid, reliable service

for many years to come.

At Your Service

The Hill Laboratories Guarantee

Your Hill Laboratories HA90V has been thoroughly tested and inspected before shipment. All parts are guaranteed against defect in materials for one full year from date of purchase. During this period, any such defect will be remedied by Hill Laboratories or by a factory-authorized repair service without charge.

Tables damaged by mishandling or accident will be repaired at a reasonable charge.

All correspondence should be directed to your local dealer, or when this is not possible, to Hill Laboratories directly.

We appreciate your business and your confidence in our product. Our aim is to provide you with excellent service and satisfaction for many years to come.

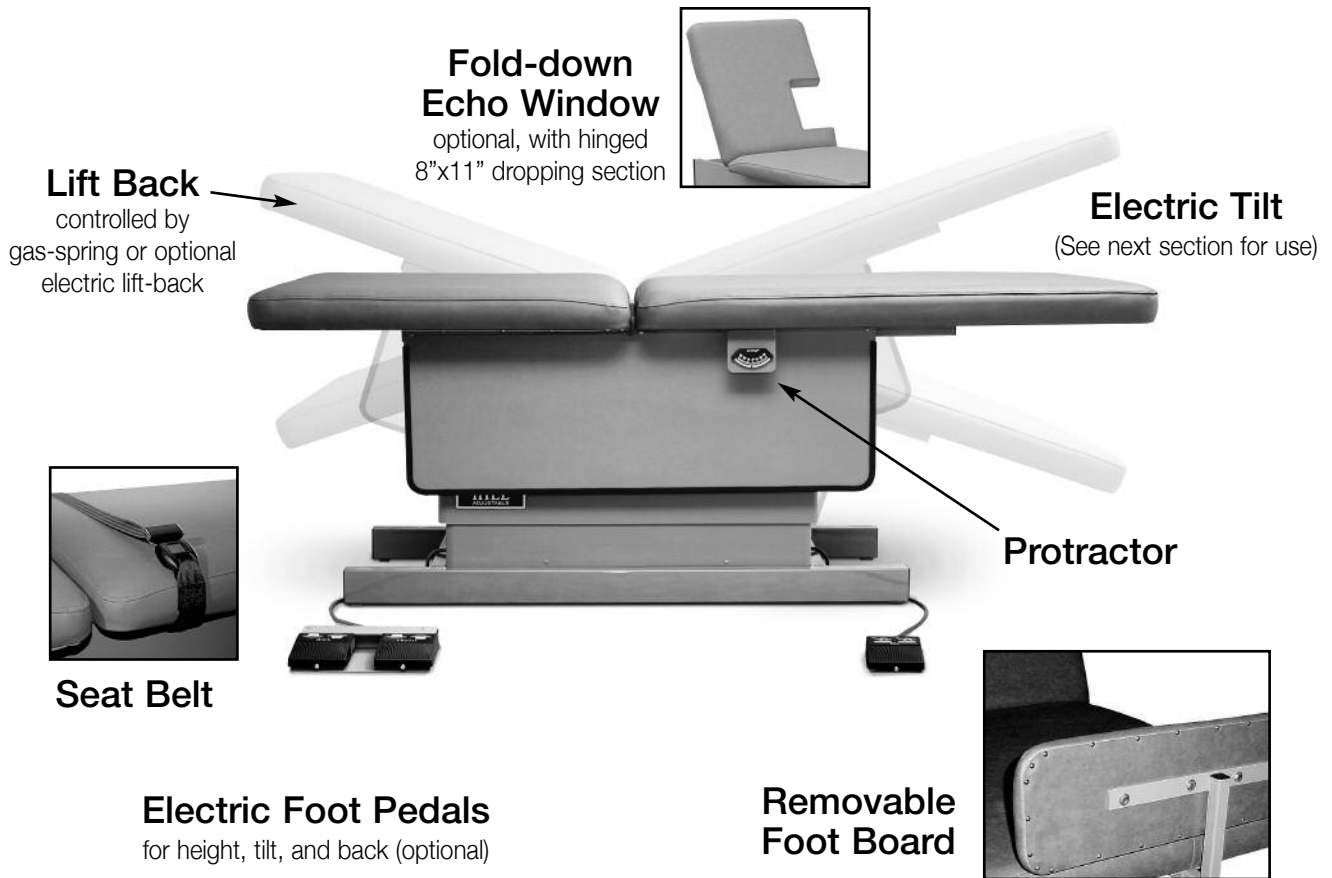
Howard A. Hill

President of Hill Laboratories Company

Table Serial Number _____

Ready for use.

Your Hill HA90V comes ready to plug into any 115 outlet.



Specifications

Table Rating

500 lbs./Static Tested at 4x Rating/Rated at 250 lbs.*

Height Range - 24"-34" or 26" to 39"

Standard Width - 27"

Length Reclined - 71"

Table Base Skirting

Acrylic thermo-plastic

Foam

Ultra-Cell® for comfort and shape retention

Shipping Weight

Approximately 250 lbs

Electric Requirements

115 v~, 60 Hz., 10 A (2 motor), where specified - 230 v~, 50 Hz.

Receptacles in base - 115 v~, 250 Watt maximum

Note: Grounding reliability can only be achieved when the equipment is connected to an equivalent receptacle marked hospital only or hospital grade. There is no EMI concern related to the safe operation of this table.

Transportation and Storage Conditions

Ambient Temperature Range:

-30°C to +60°C (-22°F to 140°F)

Relative Humidity

0% to 90% (non-condensing)

*We have tested this model at 600 pounds. The UL standard requires static load testing at four times the rating stated on the label. The static load test was 1000 lbs. making the label rating 250 lbs.

Table Care

Cleaning Your Table

Your Hill Table comes upholstered in a highly durable vinyl material. Its appearance is guarded by Prefixx™ brand protective finish. Your upholstery may be cleaned with the Hill Laboratories Vinyl Cleaner or any non-abrasive household detergent without change to surface luster. Stubborn stains can be cleaned with most common solvent cleaners such as naphtha (lighter fluid), rubbing alcohol (IPA type), toluene, Coleman gas, turpentine (paint thinner), and nail polish remover (50/50 mixture of acetone and water) with no change to surface luster or color. One hundred percent acetone can also be used for short periods but it is suggested that it first be tested on an inconspicuous area of the table.

Caution: These solvents are highly flammable; exercise proper care when cleaning with these materials and do not use near open flame or intense heat. Wear rubber gloves during all cleaning activities. When cleaning other parts of your table (besides upholstery) use only nonabrasive household detergents and water.

Cautions and Symbol Explanation

Caution: Be sure to unplug your Hill Wound Care Chair before performing any maintenance on the table.

Caution: The table should be checked once a year to make sure all internal and external bolts are secure.

Caution: The table should be in its lowest height position when not attended.

Caution: In case of power outage, the table will rely on the generator back-up of the facility where the table is installed for powering the table to its lowest position.

Caution: The power cord shall be located to avoid objects being rolled over or placed on top of it and also to avoid people tripping over it. Damaged cords should be replaced with another of hospital grade.

Caution: Grounding reliability can only be achieved when the equipment is connected to an equivalent receptacle marked hospital only or hospital grade.

Symbols - Each of the symbols below are used in the Hill Wound Care Chair labeling. An explanation of each is below.



Attention Symbol
consult accompanying
documents



**Dangerous Voltage
Symbol**



**Type BF Applied
Part Symbol**



**Ground
Symbol**



**Alternating Current
Symbol**

Table Features

Electric Tilt

The table top of the HA90V tilts a total of 20° at the head and foot end and is controlled by an electric foot pedal.



Lift Back

The lift-back feature comes standard with a manual gas-spring powered switch. The electric lift-back is powered by a foot pedal. Both the manual and the electric models lift a full 80° from horizontal.

Foot Pedals

Your HA90V comes standard with two foot pedals for height and tilt (marked respectively). If the optional electric lift-back is added (marked "Back"), a third pedal will be mounted together with the height pedal on one convenient control. (Caution: The lift back cushion needs to be tilted up a minimum of 15° in order to tilt the table into the trendelenburg position. To avoid injury or damage, the lift back should not be operated without the flat plastic panel in place on top of the plastic enclosure).

Echo-Window

The 90V features an optional 8"x11"Echo-window for echocardiogram testing. The hinged cushion can also be raised and locked in place when not in use.



Footboard

The footboard is easily inserted into a receptacle at the foot end of the HA90V. The footboard is secured by tightening a knob under the main table cushion.

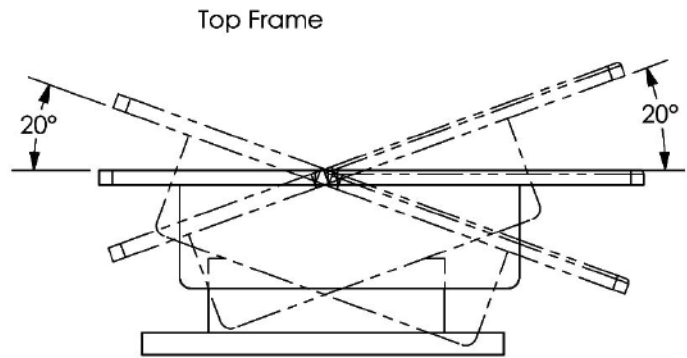
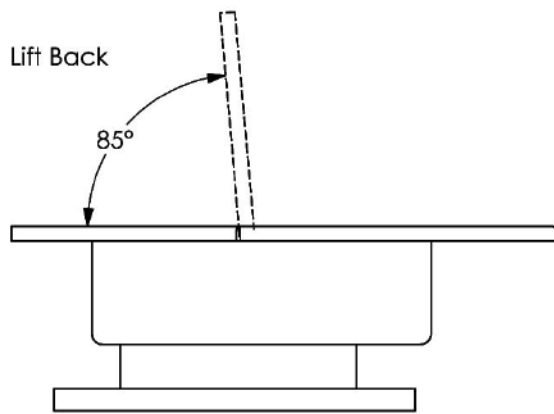
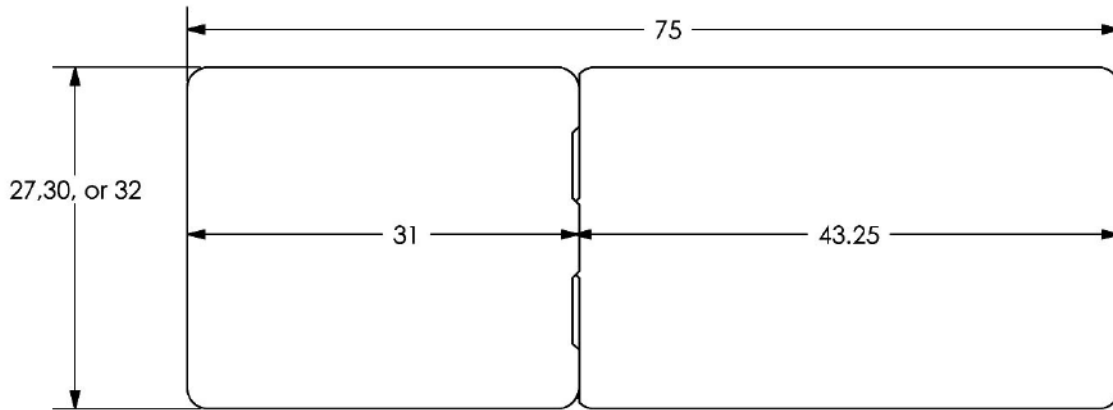
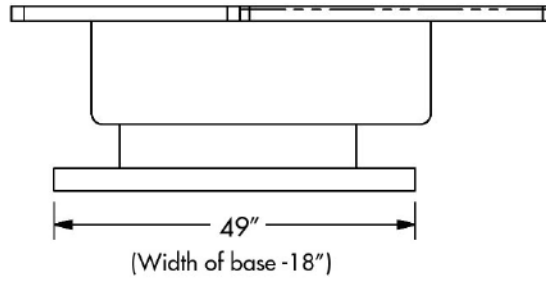
Protractor

The 90V protractor offers precise angle measurement with white engraved numerals on an easy-to-read scale. Protractor measures 0° - 45° at both the head and foot end of the table.



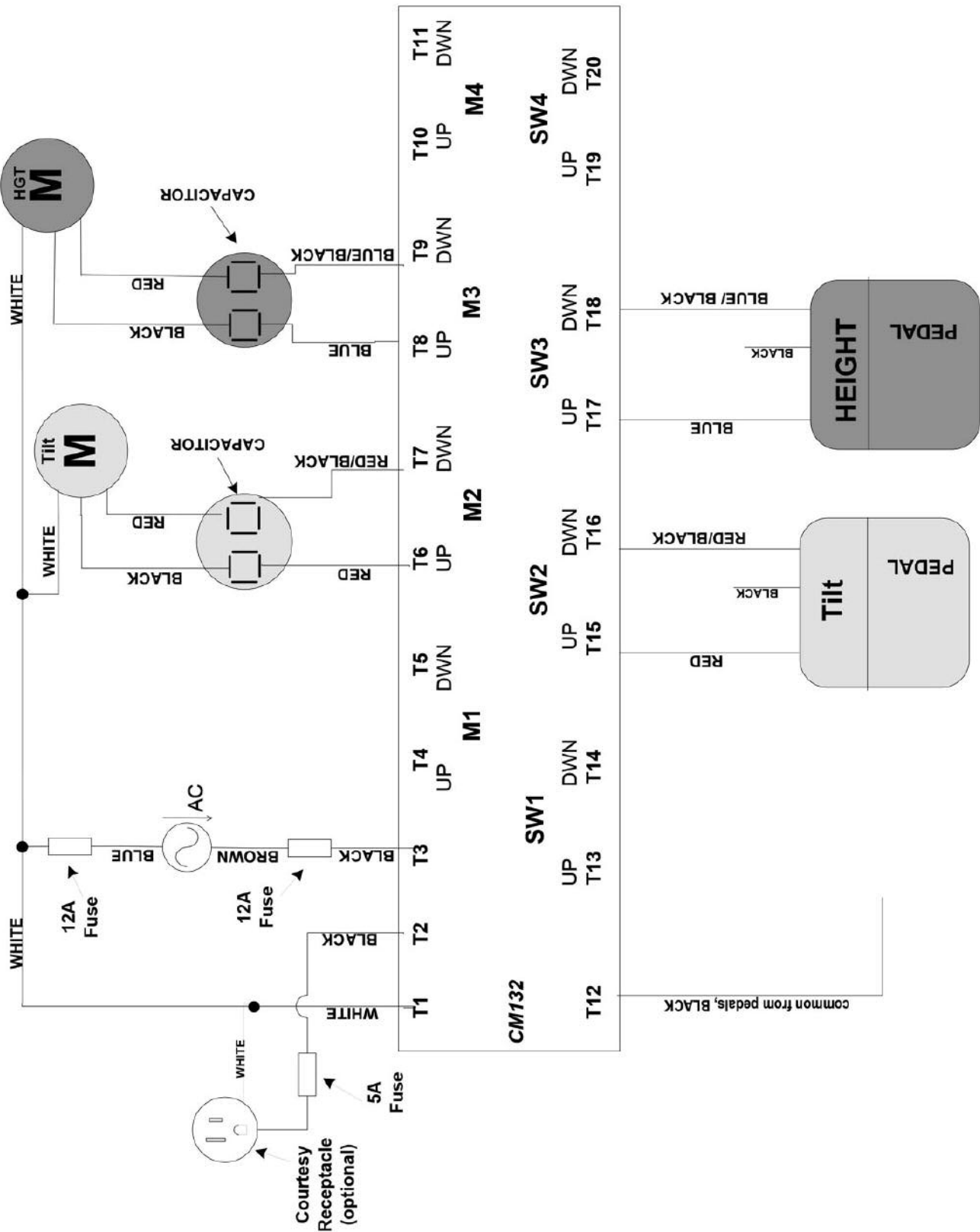
Table Diagram

Height Range 24-34"
or
26-39"



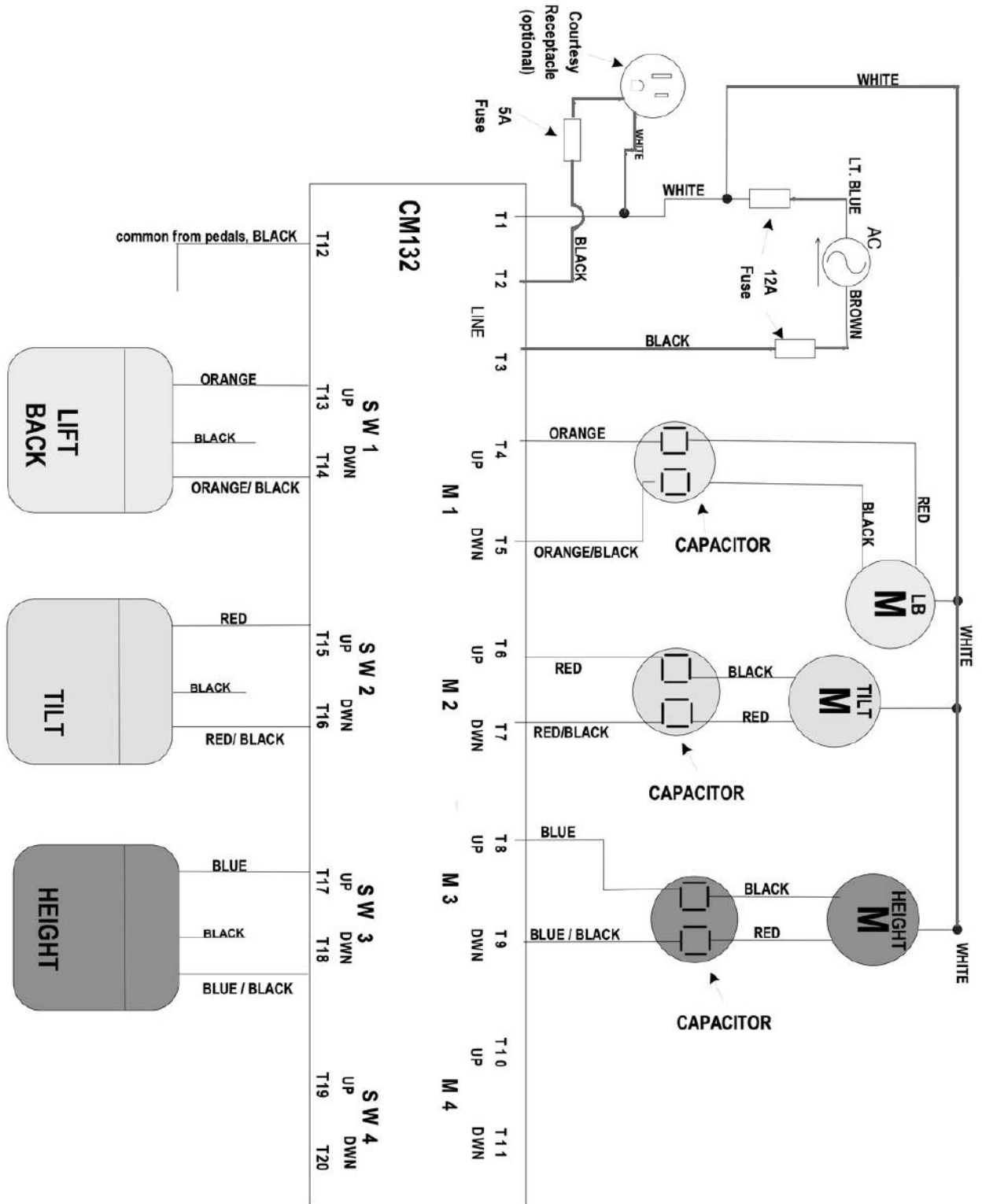
Wiring Diagram

90V for Two-Motor (Tilt and Height)



Wiring Diagram

90V for Three-Motor (Tilt and Height and Lift-Back) PART 1



Wiring Diagram

90V for Three-Motor (Tilt and Height and Lift-Back) PART 2

