

Hill HA90 ALB

Aesthetics Chair




Hill Laboratories
COMPANY

REFERENCE MANUAL

Congratulations!

And welcome to the Hill Laboratories family.

HillLaboratories Company has been making

quality a family business since 1945.

Your Hill 90ALB is built in a tradition of

innovation and value that Hill Laboratories products

have become known for.

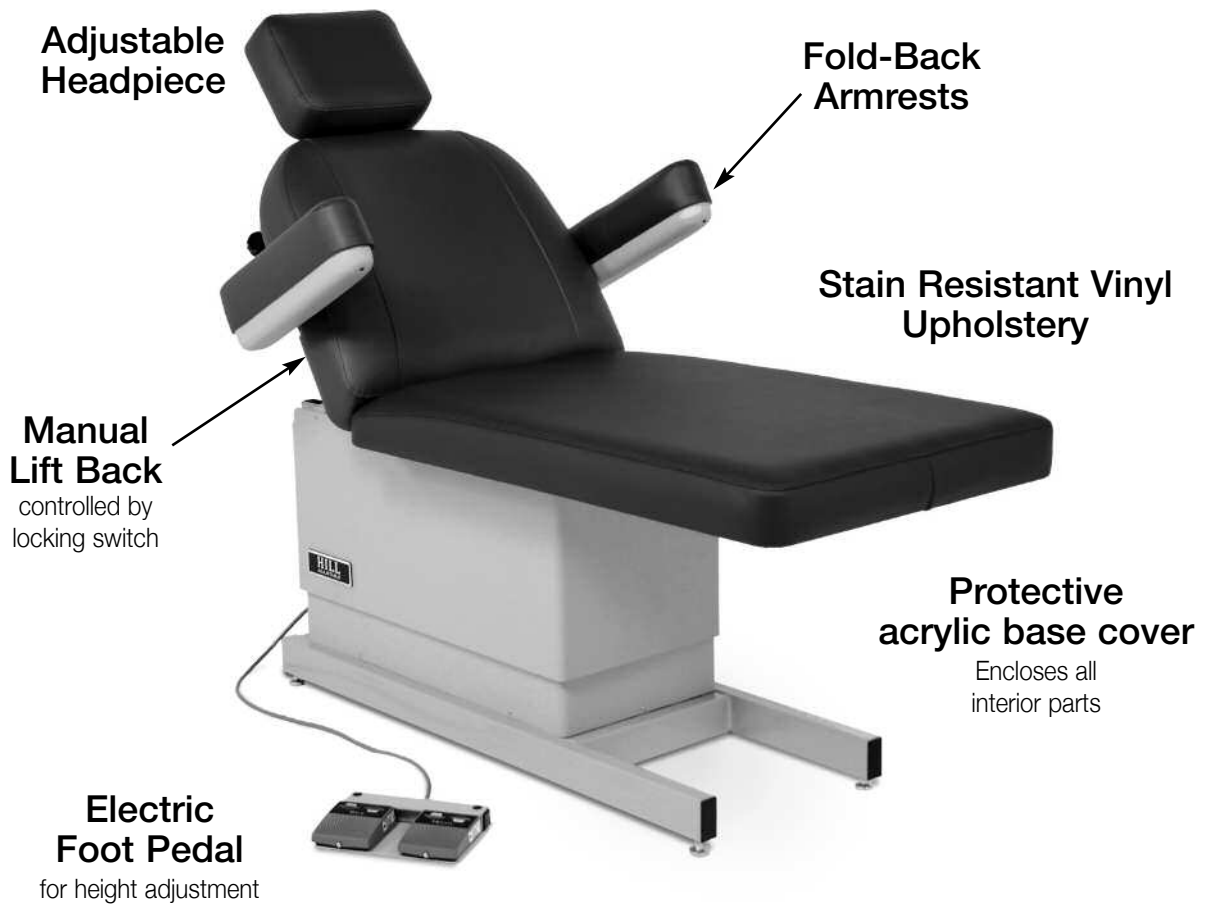
Our good name rests on the confidence that

your Hill Chair will provide you with solid, reliable service

for many years to come.

Ready for use.

Your Hill 90ALB comes ready to plug into any 115 outlet.



Specifications

Table Rating - 250 lbs. / Static Tested at 4x Rating

- Rated at 250 pounds.
- Height Range - 25"-38", Optional 23" - 33"
 - Standard width 24", 27" or 30"
- Length reclined - 5'9", with headpiece - 6'6"
 - Acrylic thermo-plastic base
- Foam top - 4.5" (3" Tempur-Pedic® soft density over 1.5 medium density)
 - Shipping weight approximately 250 lbs.
- Electric requirement - 115 v~, 60 Hz., 10 A, where specified - 230 v~, 50 Hz.

(Note: Grounding reliability can only be achieved when the equipment is connected to an equivalent receptacle marked hospital only or hospital grade.)

Table Care

Cleaning Your Table

Your Hill Table comes upholstered in a highly durable vinyl material. Its appearance is guarded by Prefixx™ brand protective finish. Your upholstery may be cleaned with the Hill Laboratories Vinyl Cleaner or any non-abrasive household detergent without change to surface luster. Stubborn stains can be cleaned with most common solvent cleaners such as naphtha (lighter fluid), rubbing alcohol (IPA type), toluene, Coleman gas, turpentine (paint thinner), and nail polish remover (50/50 mixture of acetone and water) with no change to surface luster or color. One hundred percent acetone can also be used for short periods but it is suggested that it first be tested on an inconspicuous area of the table.

Caution: These solvents are highly flammable; exercise proper care when cleaning with these materials and do not use near open flame or intense heat. Wear rubber gloves during all cleaning activities. When cleaning other parts of your table (besides upholstery) use only nonabrasive household detergents and water.

Cautions and Symbol Explanation

Caution: Be sure to unplug your table before performing any maintenance on the table.

Caution: The table should be checked once a year to make sure all internal and external bolts are secure.

Caution: The table should be in its lowest height position when not attended.

Caution: In case of power outage, the table will rely on the generator back-up of the facility where the table is installed for powering the table to its lowest position.

Caution: The power cord shall be located to avoid objects being rolled over or placed on top of it and also to avoid people tripping over it. Damaged cords should be replaced with another of hospital grade.

Caution: Grounding reliability can only be achieved when the equipment is connected to an equivalent receptacle marked hospital only or hospital grade.

Symbols - Each of the symbols below are used in the Hill Wound Care Chair labeling. An explanation of each is below.



Attention Symbol
consult accompanying
documents



**Dangerous Voltage
Symbol**



**Type BF Applied
Part Symbol**



**Ground
Symbol**

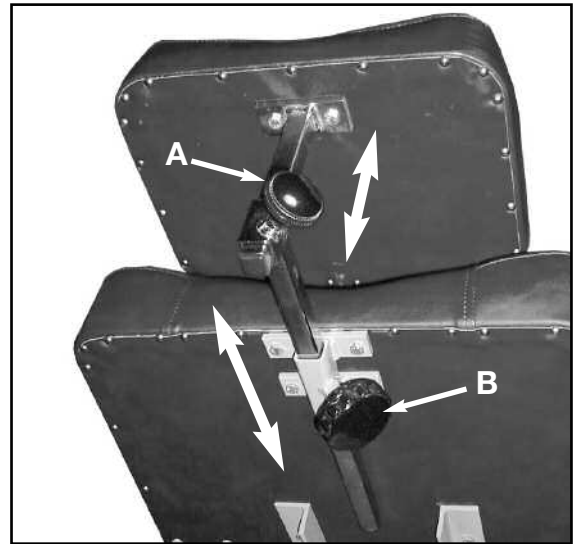


**Alternating Current
Symbol**

Table Features

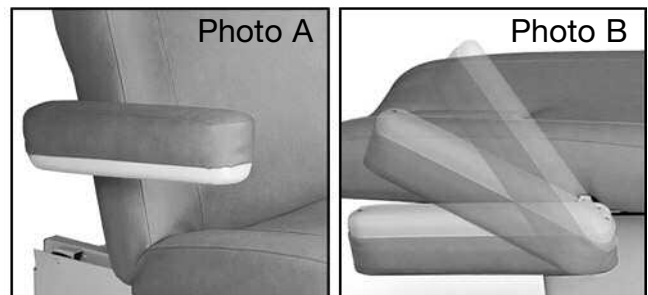
Adjustable Headpiece

The adjusting headpiece can be moved in both the forward-backward direction and up-down. To adjust the forward position of the headpiece, loosen the black knob directly behind the head cushion ("A" in photo) and adjust the cushion position. Then, retighten the knob. Repeat the same procedure for the up and down adjustment ("B" in photo). Rated at 20 pounds and tested with 160 pounds.

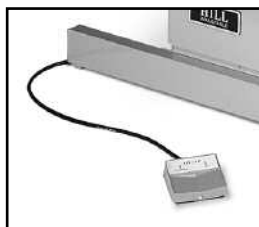


Fold-Down Armrests

When the fold-down armrests are positioned in the normal position (as shown in Photo A), they can be easily folded back by simply lifting from the bottom until the armrests are parallel with the back seat cushion as shown in Photo B. Rated at 10 pounds and tested with 80 pounds.



Foot Pedals



Two foot pedals may be included on the 90ALB. One, marked **Back**, controls the angle of the back cushion. The second, marked **Height**, controls table elevation. Foot pedals should be carefully located so as to avoid creating a tripping hazard.

Table Features

Examination Armboard



The Examination Armboard inserts from either side of the chair and tightens with a knob. It can be positioned and locked at various angles vertically and horizontally as shown in the photos left and right. The Armboard is rated at 10 pounds/tested with 80 pounds.



Gooseneck Lamp with Receptacle

To use the optional Gooseneck Lamp, insert the post into the mounted receiver and tightened the knob, turning clockwise. The lamp plugs into the 120 Volt, 5 amp. rated receptacle located at the head-end of the chair, in the center of the table frame. Be careful to position the lamp wire so that it does not interfere with free movement around the chair.

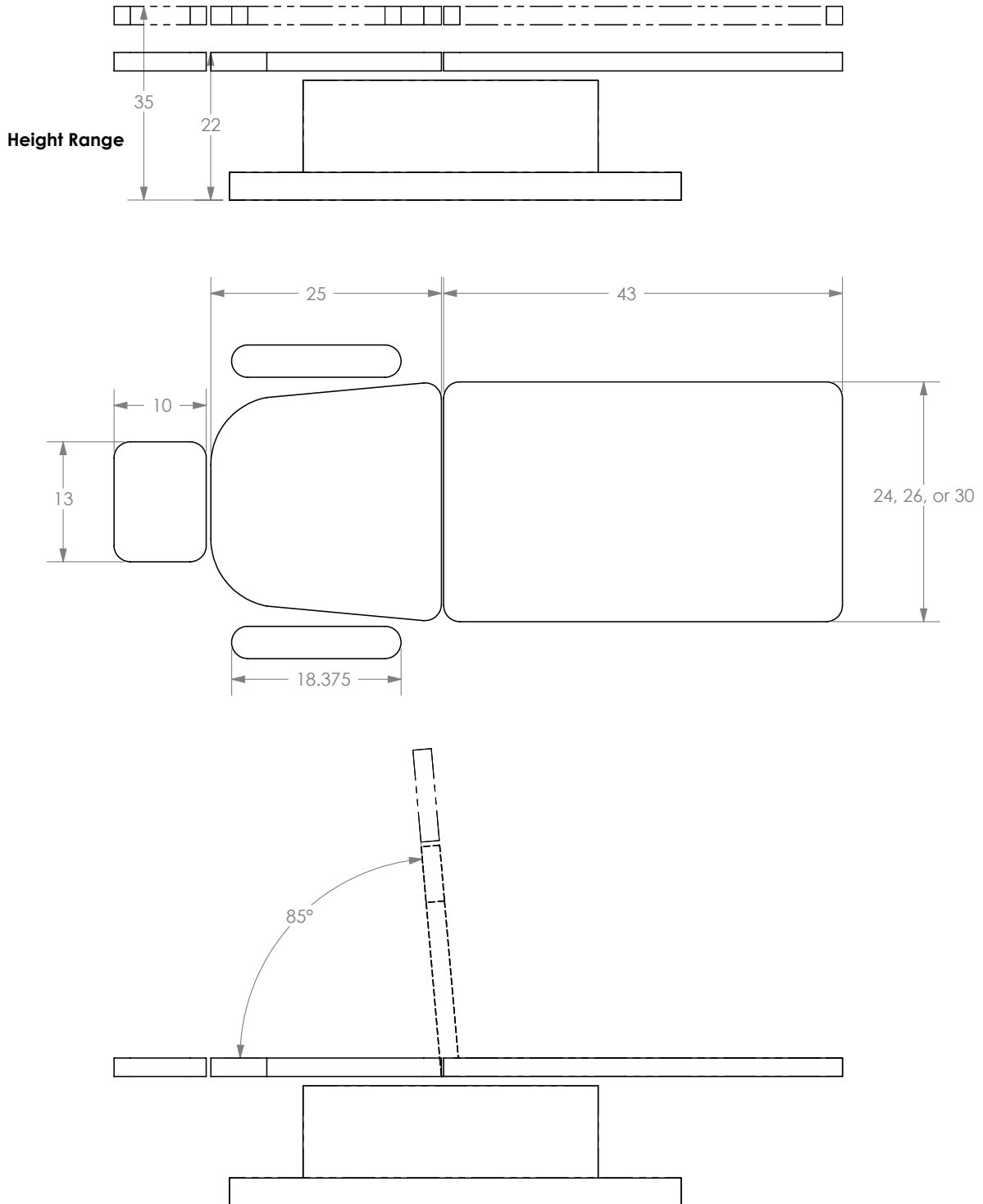


Paper Roll Holder

The optional Paper Roll holder is located at the foot end of the chair. To change the paper roll, simply press the inner tube towards the center which will release the tube from the bracket. Place new paper roll over tube and reengage the bracket.

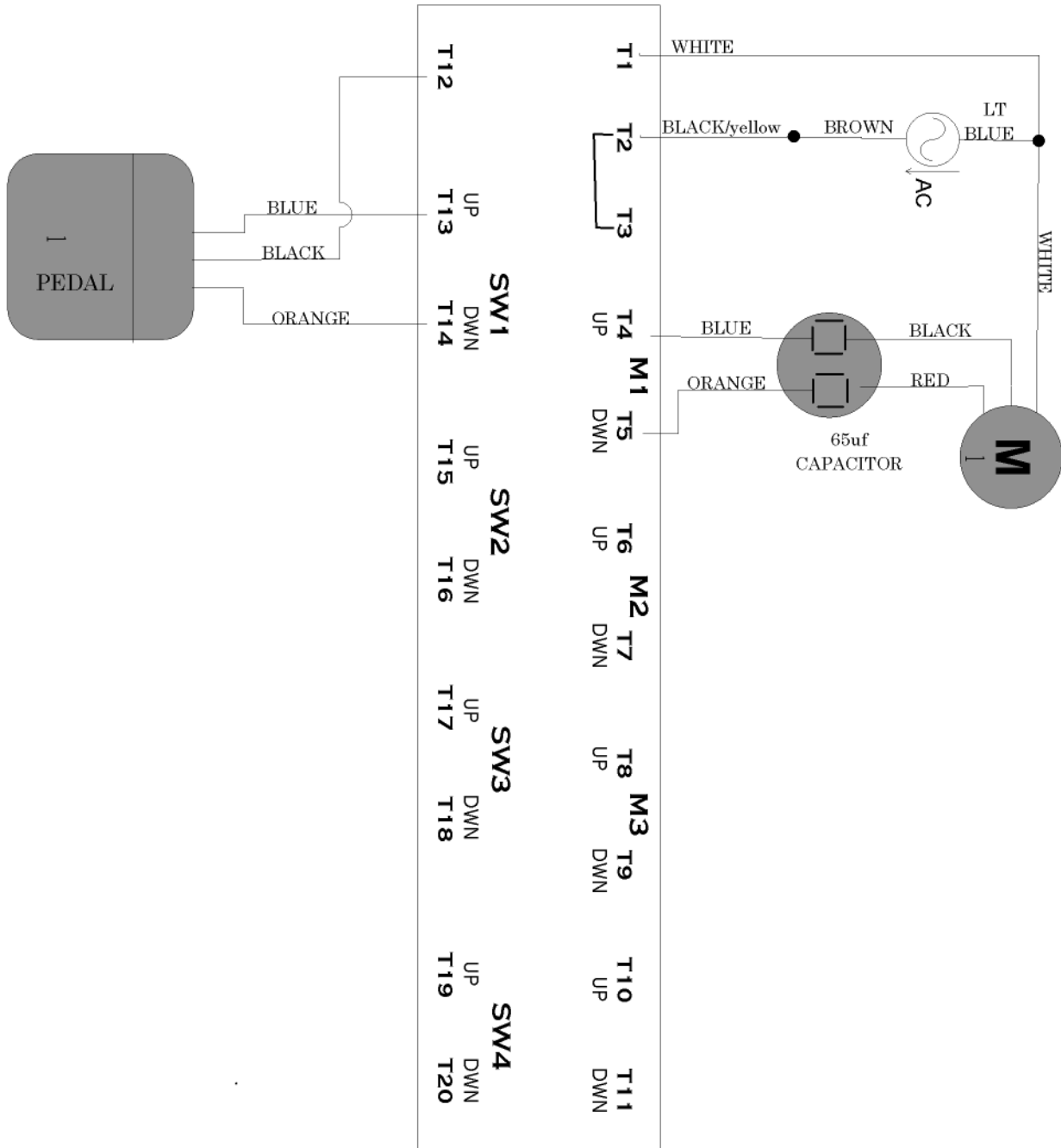
Diagrams

ALB - Dimensions



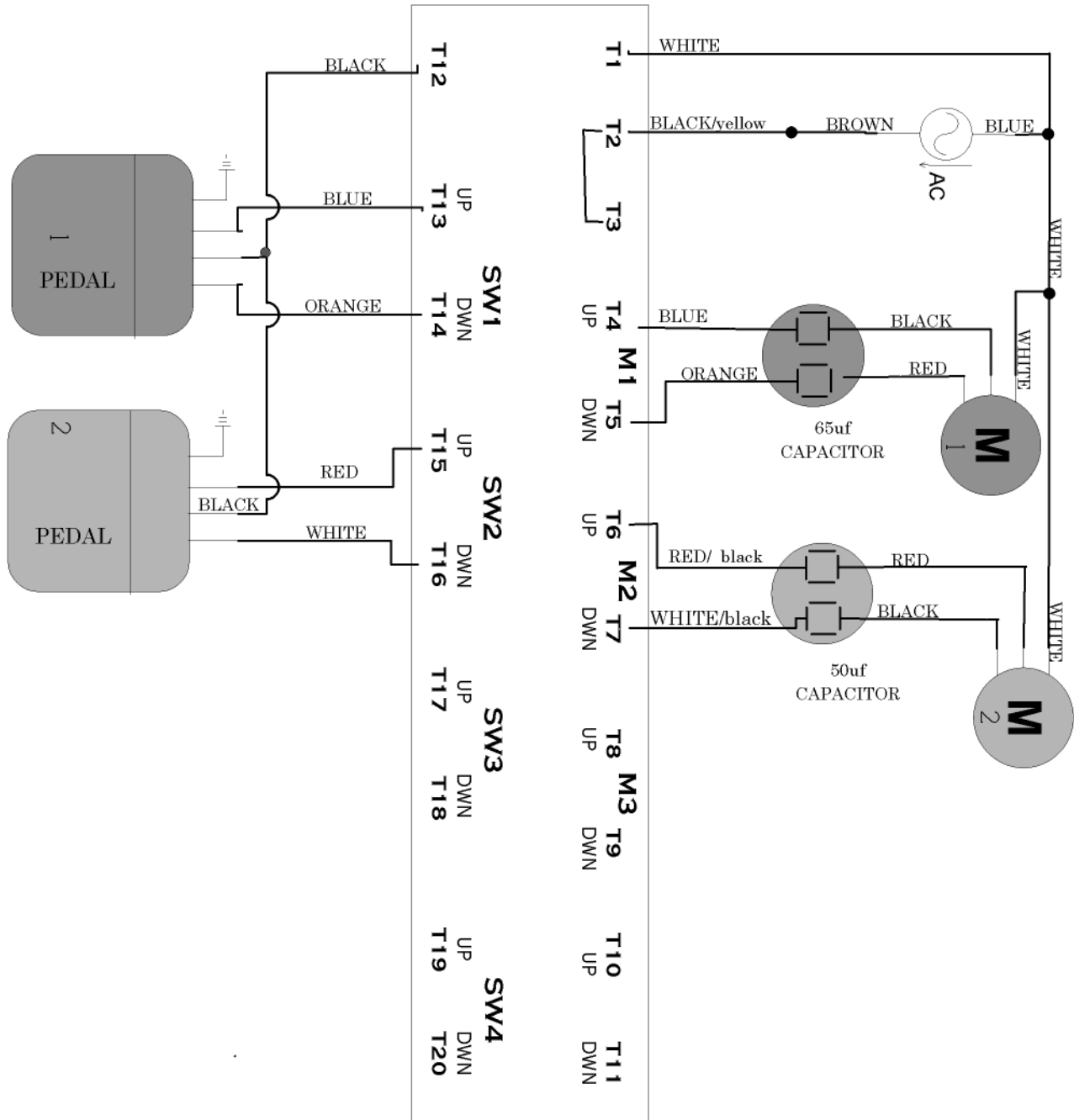
Wiring Diagrams

Single Motor Diagram



Wiring Diagrams

Two Motor Diagram



Tables Manufactured by Hill Laboratories



Anatomotor
Massage w/Traction



HA90C



Air-Drop HA90C



Air-Flex
w/4 Drops



Hi-Lo



HA90



HA90 Lift Back



Mat Table



PT Mobilization



Rath Mechanical
McKenzie Technique



Repex Table
McKenzie Technique



PT Tilting



HA90E



90MD



90D Dermatology
Chair



90W Wound Care
Chair



Podiatry Model



Counterstrain
(multi-positional)



HA90V Tilt
Vascular/Diagnostic



Occupational Table

At Your Service

The Hill Laboratories Guarantee

Your Hill Laboratories 90ALB has been thoroughly tested and inspected before shipment. All parts are guaranteed against defect in materials for one full year from date of purchase. During this period, any such defect will be remedied by Hill Laboratories or by a factory-authorized repair service without charge.

Tables damaged by mishandling or accident will be repaired at a reasonable charge.

All correspondence should be directed to your local dealer, or when this is not possible, to Hill Laboratories directly.

We appreciate your business and your confidence in our product. Our aim is to provide you with excellent service and satisfaction for many years to come.

Howard A. Hill

President of Hill Laboratories Company

Table Serial Number _____



P.O. Box 2028, 3 Bacton Hill Road, Frazer, PA 19355 • phone 1-877-445-5020 • 610-644-2867 • fax 610-647-6297 • www.hilllabs.com