

HILL HA90D

DERMATOLOGY CHAIR




Hill Laboratories
COMPANY

REFERENCE MANUAL

CONGRATULATIONS!

AND WELCOME TO THE HILL FAMILY

Hill Laboratories Company has been making quality a family business since 1945. Your Hill HA90D is built in a tradition of innovation and value that Hill Laboratories products have become known for.

Our good name rests on the confidence that your Hill Chair will provide you with solid, reliable service for many years to come.

AT YOUR SERVICE

THE HILL LABORATORIES GUARANTEE

Your Hill Laboratories 90D has been
thoroughly tested and inspected before shipment.

All parts are guaranteed against defect in materials for one full year
from date of purchase. Tables damaged by mishandling or accident will
be repaired at a reasonable charge. All correspondence should be
directed to your local dealer, or when this is not possible,
to Hill Laboratories directly.

We appreciate your business and your confidence in our products.

Our aim is to provide you with excellent service and
satisfaction for many years to come.

President of Hill Laboratories Company



Table Serial Number _____

READY FOR USE

COMES READY TO PLUG INTO ANY 115V OUTLET



Shown with several added options

SPECIFICATIONS

Table Rating

400 lbs./Static Tested at 4x Rating/Rated at 250 lbs.*

Height Range - 19"-34"

Standard Width - 26"

Length Reclined - 71"

Table Base Skirting

Acrylic thermo-plastic

Foam

Ultra-Cell® for comfort and shape retention

Shipping Weight

Approximately 250 lbs

Electric Requirements

115 v~, 60 Hz., 10 A - 230 v~, 50 Hz.

Receptacles in base - 115 v~, 250 Watt maximum

Note: Grounding reliability can only be achieved when the equipment is connected to an equivalent receptacle marked hospital-only or hospital-grade. There is no EMI concern related to the safe operation of this table.

Transportation and Storage Conditions

Ambient Temperature Range:
-30°C to +60°C (-22°F to 140°F)

Relative Humidity

0% to 90% (non-condensing)

*We have tested this model at 550 pounds. The UL standard requires static load testing at four times the rating stated on the label. The static load test was 1000 lbs. making the label rating 250 lbs.

TABLE CARE

CLEANING YOUR TABLE

Your Hill Table comes upholstered in a highly durable vinyl material. Its appearance is guarded by Prefix™ brand protective finish. Your upholstery may be cleaned with the Hill Laboratories Vinyl Cleaner or any non-abrasive household detergent without change to surface luster. Stubborn stains can be cleaned with most common solvent cleaners such as naphtha (lighter fluid), rubbing alcohol (IPA type), toluene, Coleman gas, turpentine (paint thinner), and nail polish remover (50/50 mixture of acetone and water) with no change to surface luster or color. One hundred percent acetone can also be used for short periods but it is suggested that it first be tested on an inconspicuous area of the table.

Caution: These solvents are highly flammable; exercise proper care when cleaning with these materials and do not use near open flame or intense heat. Wear rubber gloves during all cleaning activities. When cleaning other parts of your table (besides upholstery) use only nonabrasive household detergents and water.

CAUTION AND SYMBOL EXPLANATION

Caution: Be sure to unplug your table before performing any maintenance on the table.

Caution: The table should be checked once a year to make sure all internal and external bolts are secure.

Caution: The table should be in its lowest height position when not attended.

Caution: In case of power outage, the table will rely on the generator back-up of the facility where the table is installed for powering the table to its lowest position.

Caution: The power cord shall be located to avoid objects being rolled over or placed on top of it and also to avoid people tripping over it. Damaged cords should be replaced with another of hospital grade.

Caution: Grounding reliability can only be achieved when the equipment is connected to an equivalent receptacle marked hospital only or hospital grade.

SPECIAL CAUTION

TO AVOID INJURY OR DAMAGE TO THE CHAIR, NEVER SIT OR LEAN ON THE FOOT SECTION WHEN IT IS RAISED TO THE HORIZONTAL POSITION!

The foot section is designed to support a seated patient's feet and lower legs only. To prevent any risk to patient or chair, always adjust the foot section down before a patient exits the chair.



SYMBOLS

Each of the symbols below are used on your Hill model labeling. An explanation of each is below.



Attention Symbol
consult accompanying documents



Dangerous Voltage Symbol



Type BF Applied Part Symbol



Ground Symbol



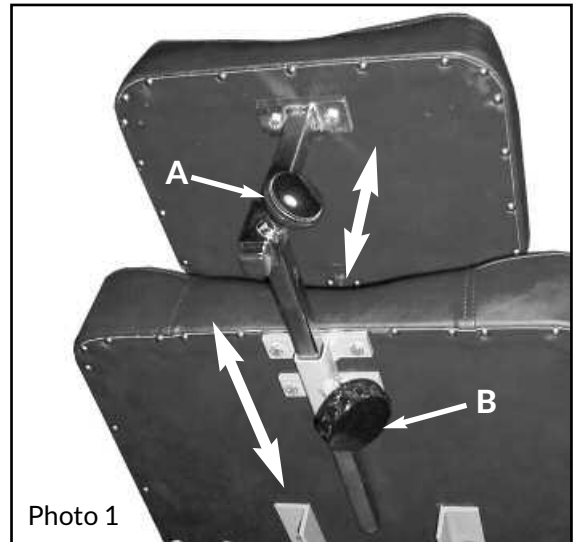
Alternating Current Symbol

TABLE FEATURES

ADJUSTABLE HEADPIECE

The adjusting headpiece can be moved in both the forward-backward direction and up-down.

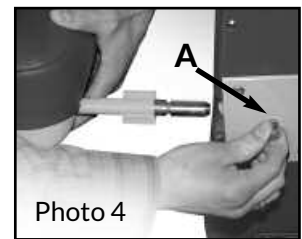
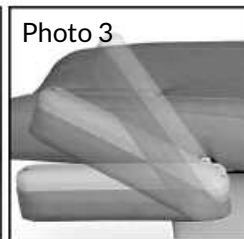
To adjust the forward position of the headpiece, loosen the black knob directly behind the head cushion ("A", photo 1) and adjust the cushion position. Retighten the knob. Adjustment for the up and down position is the same: Loosen knob ("B", Photo 1), adjust height; retighten knob. **Rated at 20 pounds and tested with 160 pounds.**



FOLD-DOWN REMOVEABLE ARMRESTS

When fold-down armrests

are positioned in the normal position (Photo 2), they are easily folded back by lifting from the bottom until the armrests rest parallel with the back cushion (Photo 3). Rated at 10 pounds and tested with 80 pounds. Photo 4 shows how the armrests are removed by pulling out on a spring-pin (see "A") and then pulling out on the armrest.



EXAMINATION ARMBORD

The Examination Armboard inserts from either side of the chair and tightens with a knob. It can be positioned and locked at various angles vertically and horizontally as shown in the photos left and right.

The Armboard is rated at 10 pounds/tested with 80 pounds.



TABLE FEATURES

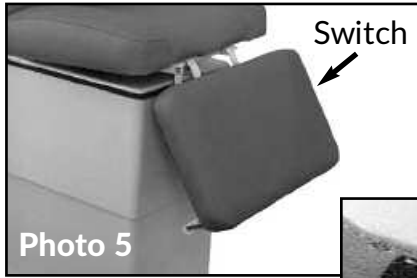


Photo 5

FOLD-DOWN FOOT SECTION

The angle of the Fold-Down Foot Section is controlled by a manual switch located under the right side as you face the end of the chair. Press and hold the switch to freely adjust the angle of the cushion. Release to lock the cushion in place.

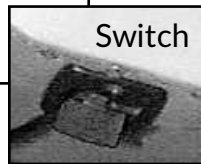


Photo 6

GOOSENECK LAMP WITH RECEPTACLE

To use the Gooseneck Lamp, insert the post into the mounted receiver and tighten the knob, turning clockwise. The lamp plugs into the 120 Volt, 5 amp. rated receptacle located at the head-end of the chair—in the center of the table frame. Be careful to position the lamp wire so that it does not interfere with free movement around the chair.

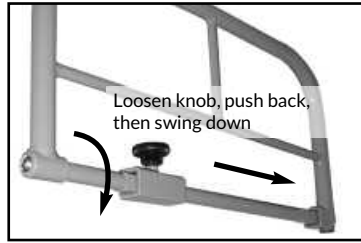


Photo 9

FOOT PEDALS

Your HA90D has up to four foot pedals mounted together on one control. The far left pedal, marked **Back**, controls the angle of the back cushion. The middle-left pedal, labeled **Tilt**, controls the tilt angle of the seat cushion (Caution: The lift back cushion needs to be tilted up a minimum of 15° to tilt the table into the trendelenburg position. To avoid injury or damage, the lift back should not be operated without the flat plastic panel in place on top of the plastic enclosure.) The middle-right pedal, marked **Height**, controls table elevation. The far right pedal, labeled **Foot**, controls the angle of the foot section from horizontal to 80° perpendicular.

TABLE FEATURES



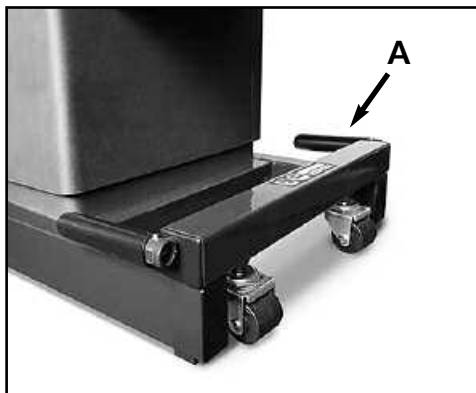
SIDE RAILS

Optional side rails are mounted at each side of the seat cushion and very helpful for increased security while patient is positioned on the chair. To move the rails to the down

position, loosen the black knob (see photo), push rail towards the back of the chair to disengage the square locking tube and then swing the rail to the down position.

ROCKER FOOT PEDAL

The optional Rocker Foot Pedal operates the height of the table from either side of the table base. Press the right side of the pedal for "UP" and the left side for "DOWN". The pedal will return to the neutral position when released.



CASTERS

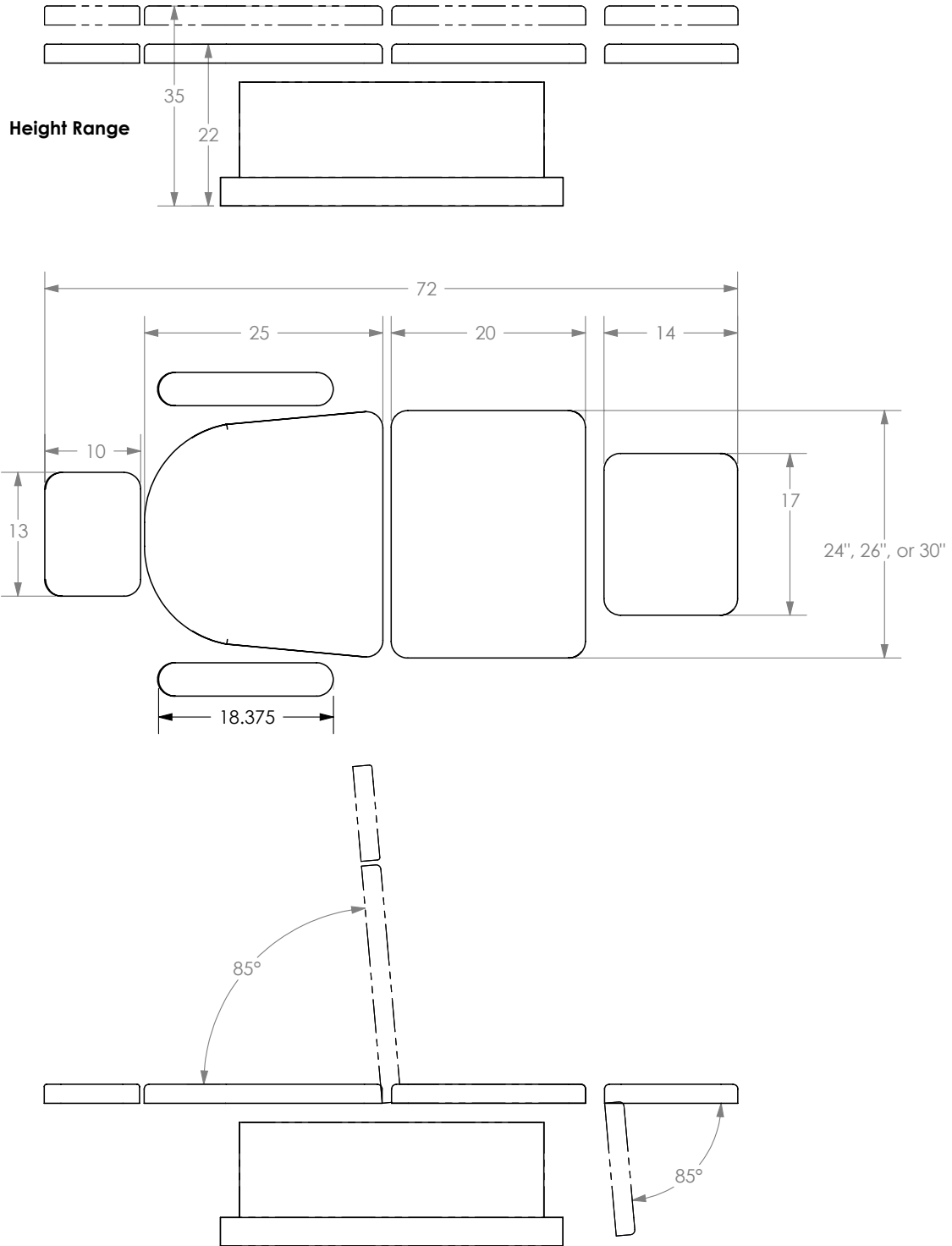
The optional casters are located at both ends of the table base and facilitate easy table movement. The photo shows the casters in the disengaged position. To move the table, engage both sets of casters by lifting the handles from the horizontal position ("A") up to the straight-up position. The table will lift approximately 1/2" from the floor with the caster wheels touching the floor and able to roll. Move the table to the desired location. With the table moved, be sure to disengage

both sets of casters by pushing the handles back down to the horizontal position.

IMPORTANT: Never allow a patient to be on the table while the casters are engaged.

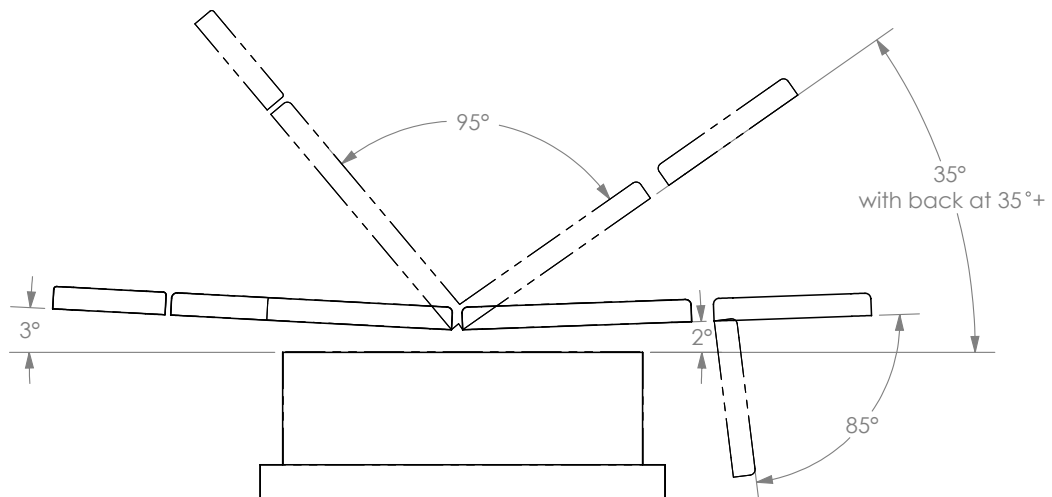
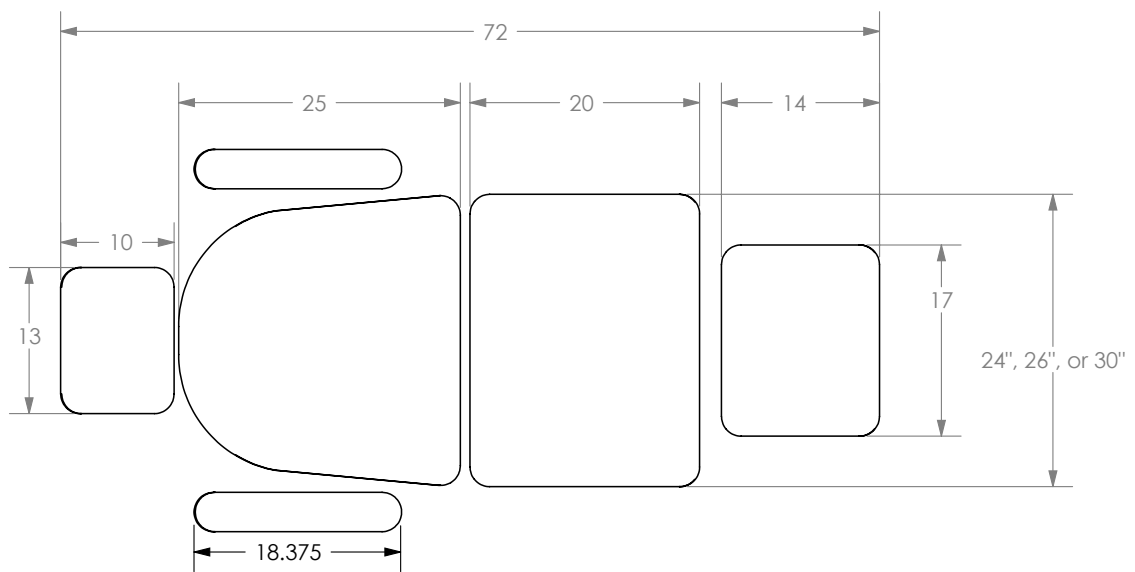
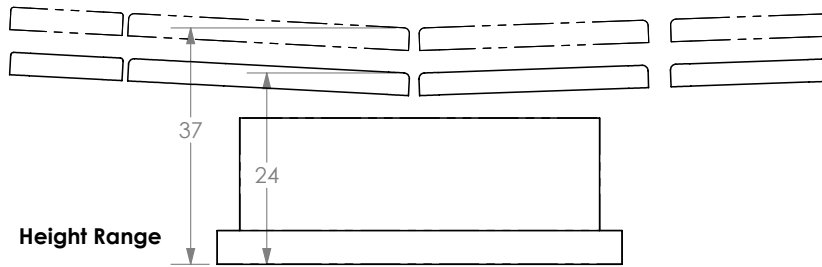
DIAGRAM

HA90D DIMENSIONS



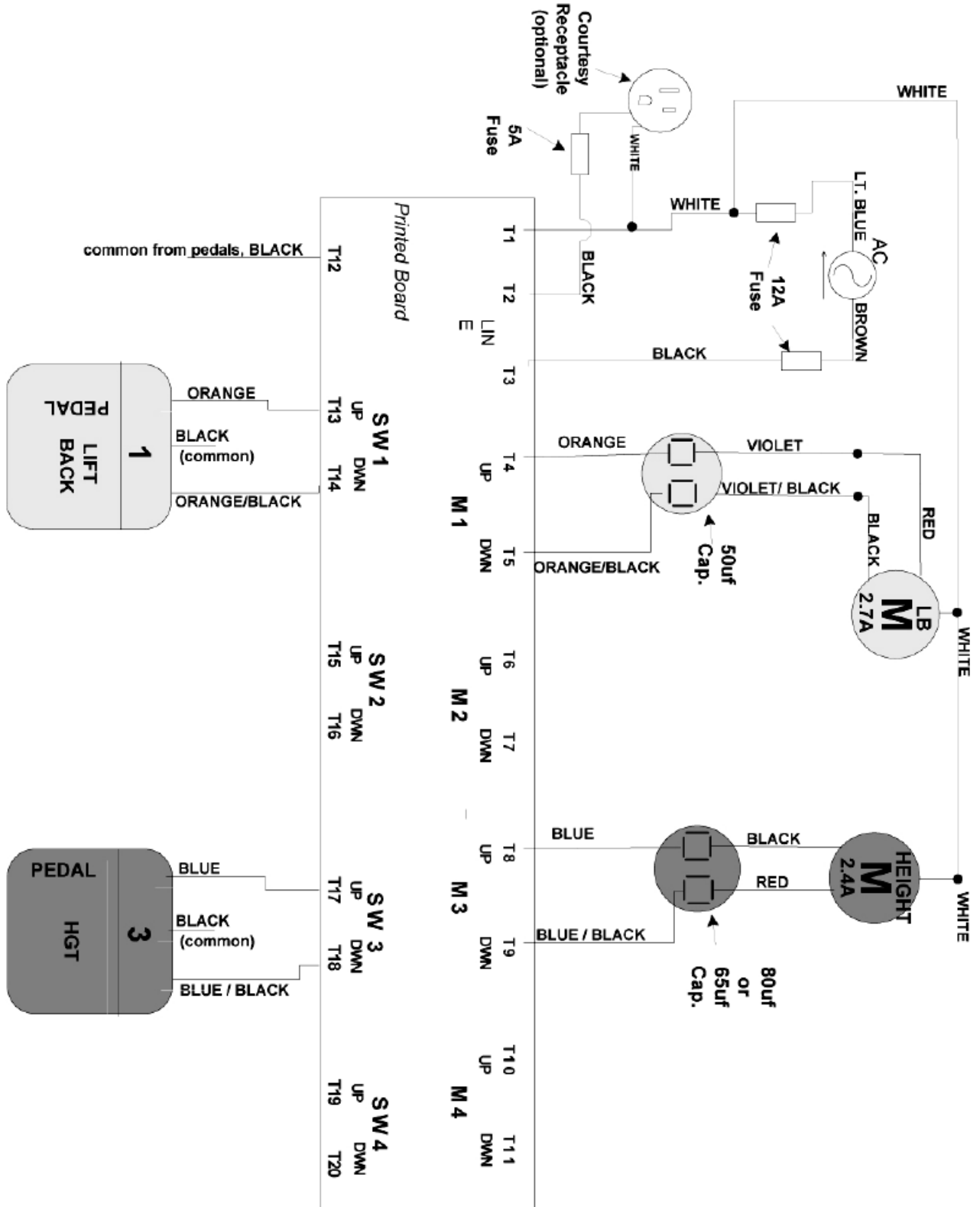
DIAGRAM

HA90D WITH TRENDELENBURG DIMENSIONS



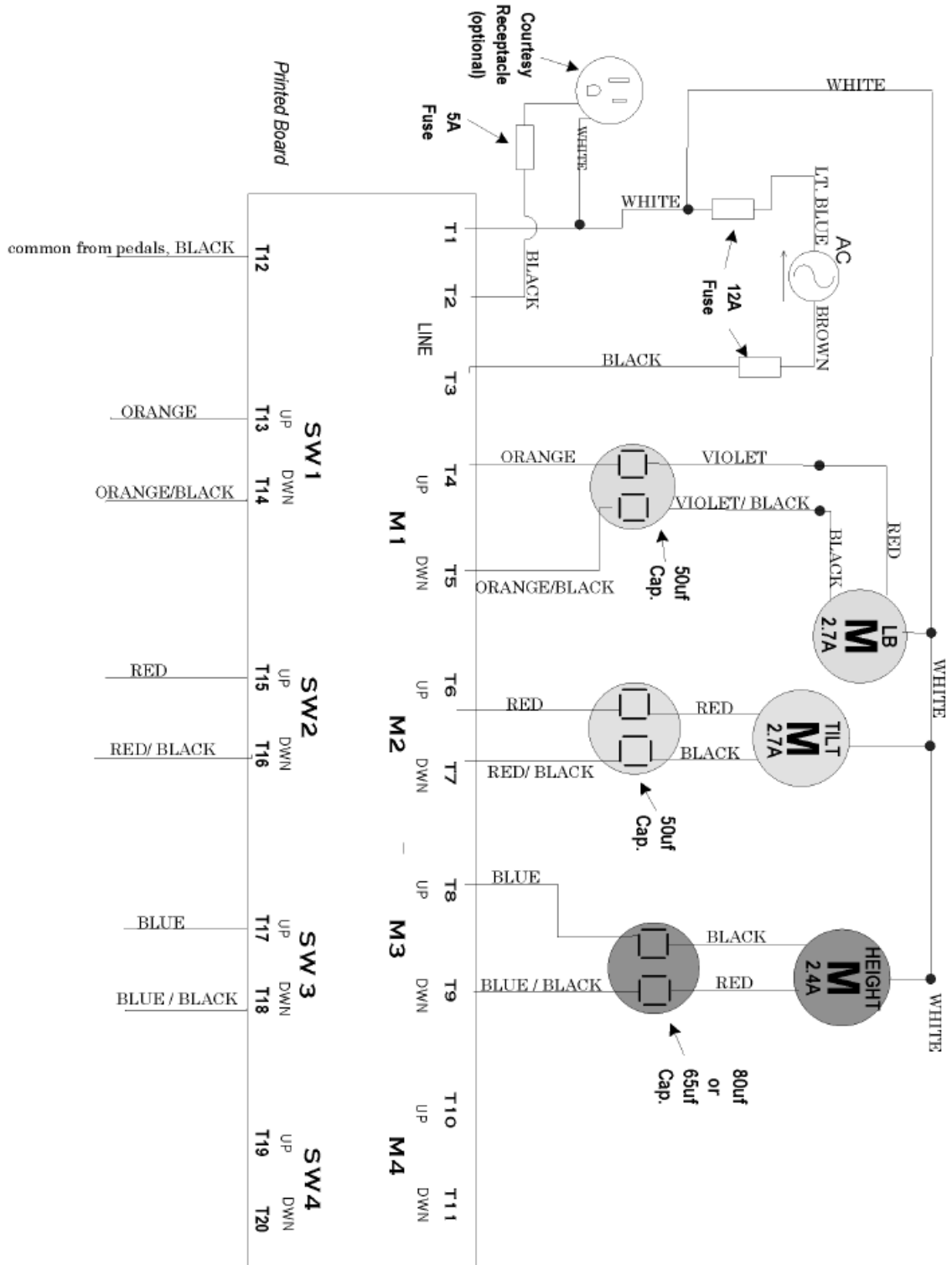
WIRING DIAGRAM

2 MOTOR DIAGRAM



WIRING DIAGRAM

3 MOTOR DIAGRAM

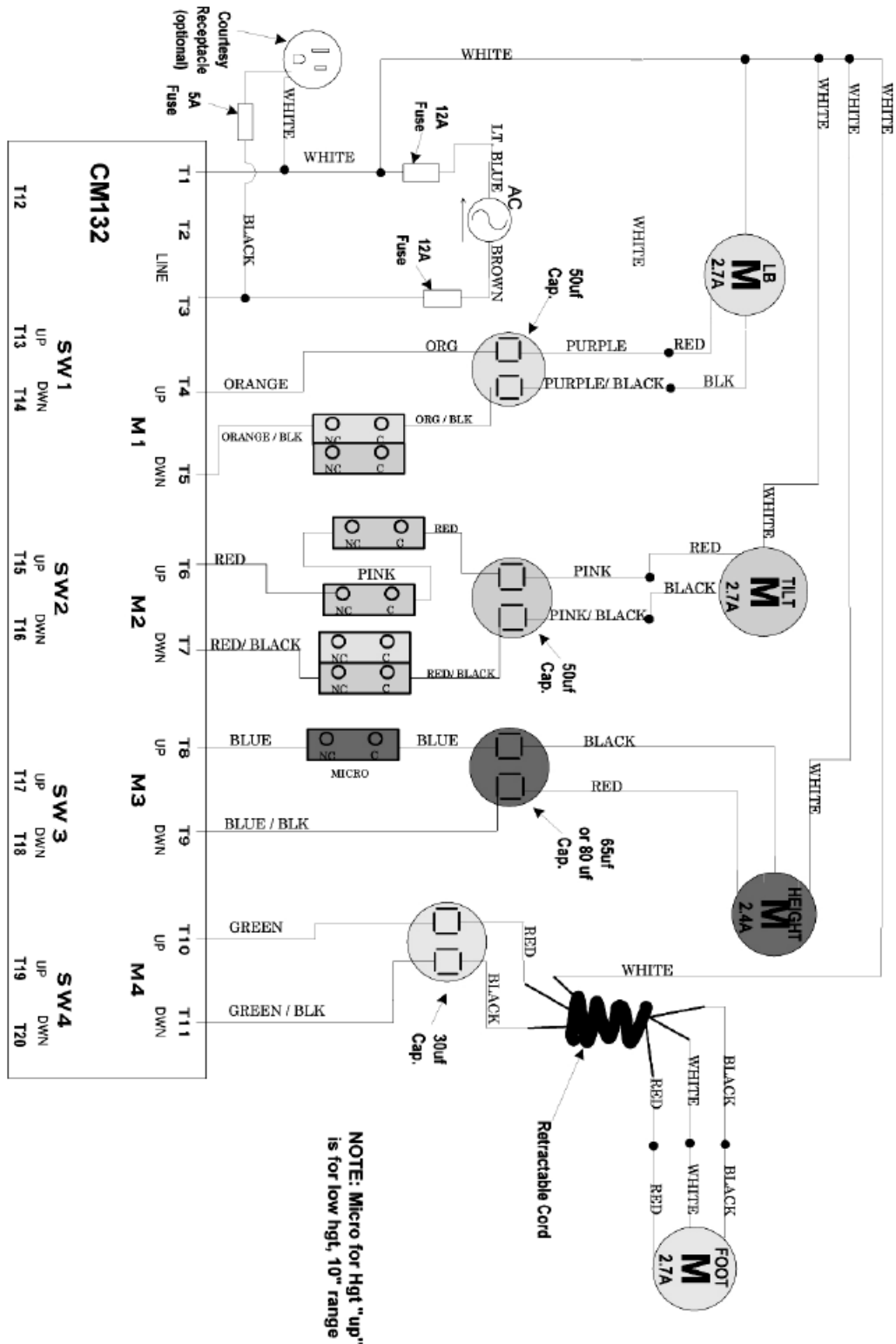


Use 12-Lead Cord

See Sheet 2 for pedal assembly wiring

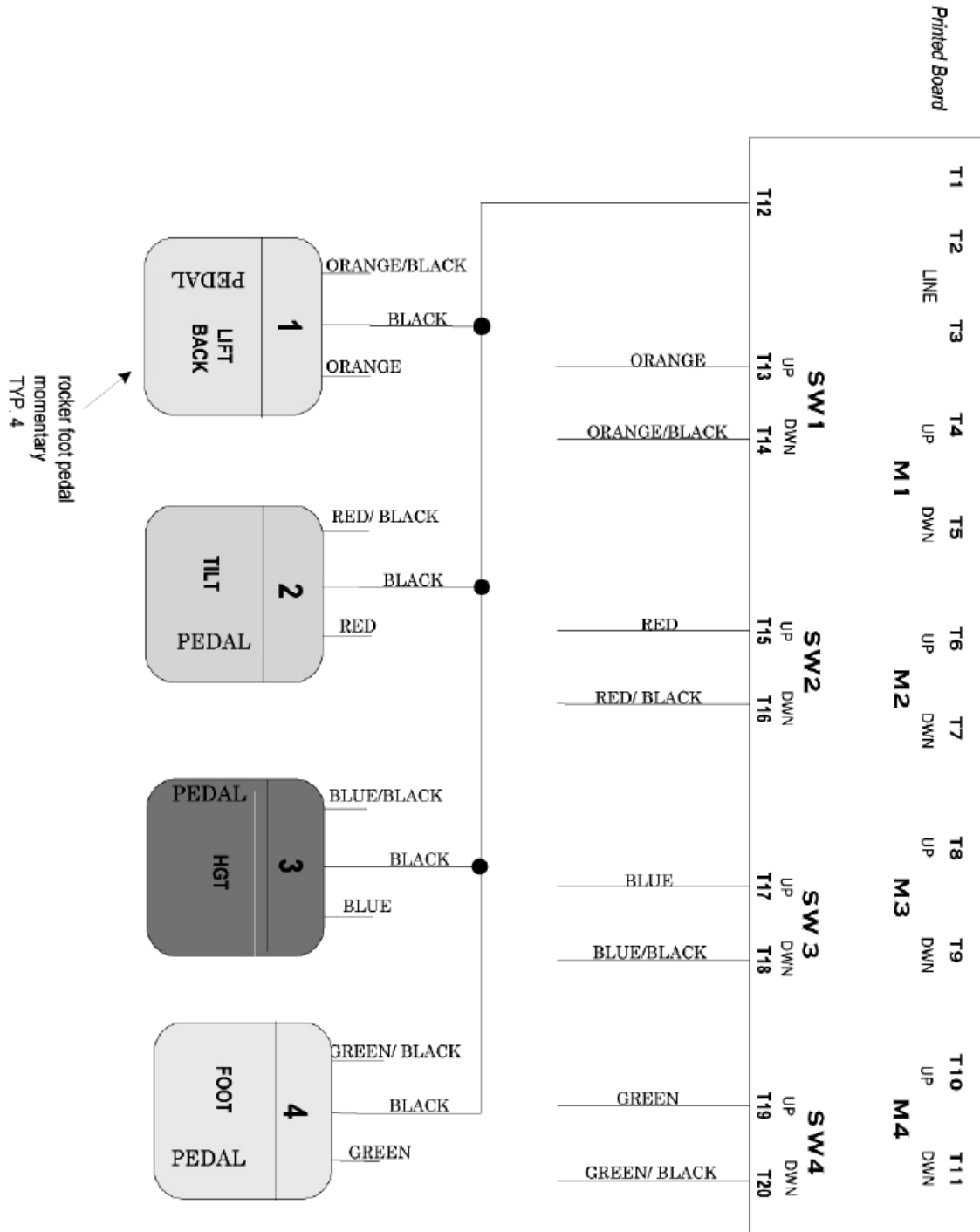
WIRING DIAGRAM

4 MOTOR DIAGRAM, PART 1



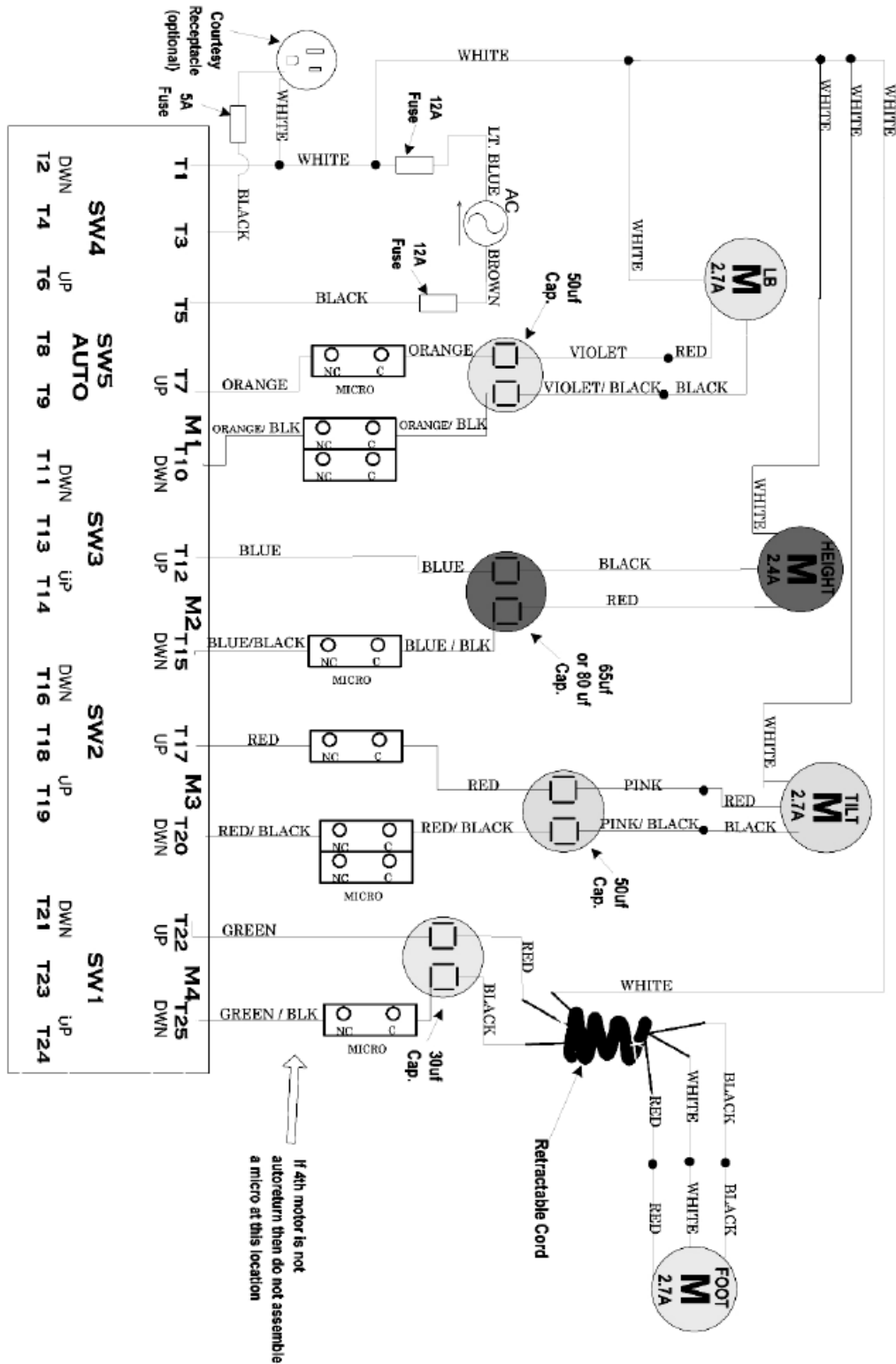
WIRING DIAGRAM

4 MOTOR DIAGRAM, PART 2



WIRING DIAGRAM

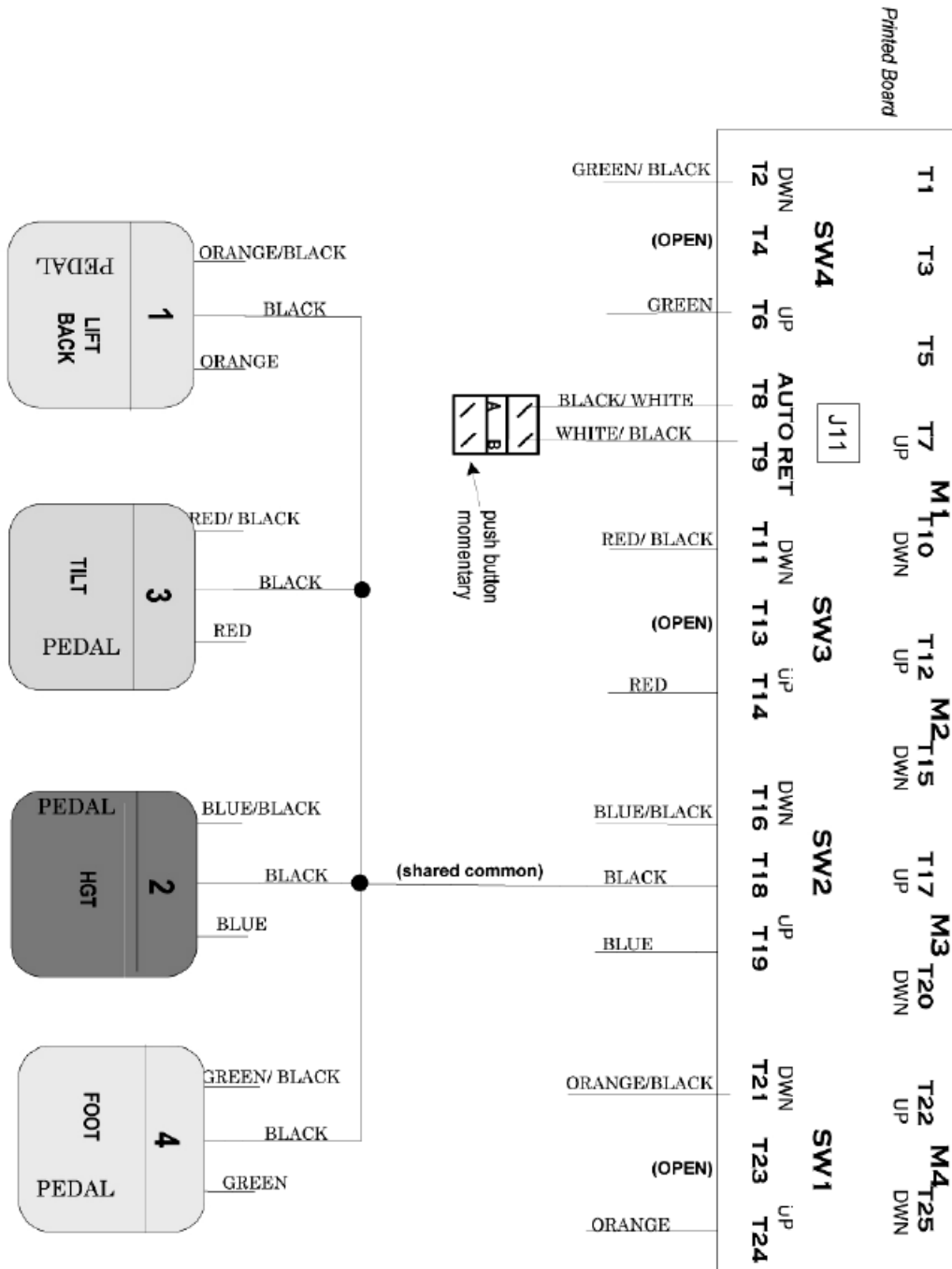
4 MOTOR DIAGRAM WITH AUTO-RETURN, PART 1



WIRING DIAGRAM

4 MOTOR DIAGRAM WITH AUTO-RETURN, PART 2

- NOTE:**
1. Join all pedal commons (black) in pedal assembly.
 2. When a shunt is placed across the two pins at J11 then only motors 1,2,3 will respond to autoreturn.



OTHER PRODUCTS FROM HILL LABORATORIES

PROGRESSIVE INNOVATION • LEGENDARY QUALITY



Airflex II
Flexion-Distraction



AFT
Auto-Flexion



HA90C
Drop Table



REPEX
McKenzie Technique



HA90
OMT



HA90LB
Two-Section



HA90E
Exam



HA90V
Vascular, Endo, Echo



HA90W
Wound Care



HA90P
Podiatry



HA90PT
PT Mobilization



HA90D
Dermatology



Anatomotor
Massage-Traction



Stationary-Top
Anatomotor



HILL DT
Decompression



SCS Strain
Counterstrain



HA90M
Mat Table



HF54 Hands-Free
Ultrasound/Interferential



Hill IFC
4-Channel Interferential



Horizon
Infrared Light Therapy

