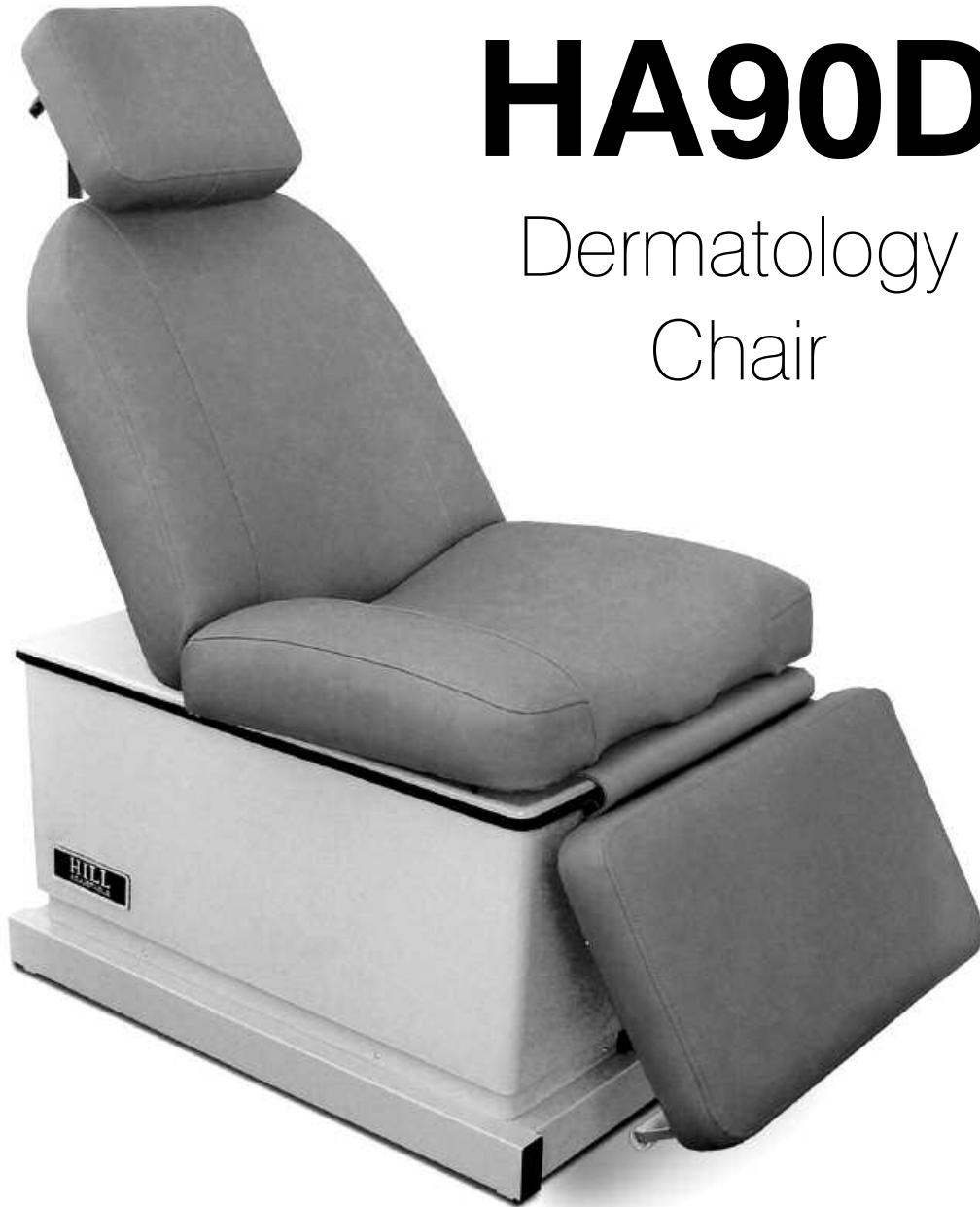


Hill HA90D

Dermatology
Chair




Hill Laboratories
COMPANY

REFERENCE MANUAL

Congratulations!

And welcome to the Hill Laboratories family.

Hill Laboratories Company has been making

quality a family business since 1945.

Your Hill HA90D is built in a tradition of

innovation and value that Hill Laboratories products

have become known for.

Our good name rests on the confidence that

your Hill Chair will provide you with solid, reliable service

for many years to come.

At Your Service

The Hill Laboratories Guarantee

Your Hill Laboratories 90D has been thoroughly tested and inspected before shipment. All parts are guaranteed against defect in materials for one full year from date of purchase. During this period, any such defect will be remedied by Hill Laboratories or by a factory-authorized repair service without charge.

Tables damaged by mishandling or accident will be repaired at a reasonable charge.

All correspondence should be directed to your local dealer, or when this is not possible, to Hill Laboratories directly.

We appreciate your business and your confidence in our product. Our aim is to provide you with excellent service and satisfaction for many years to come.

Howard A. Hill

President of Hill Laboratories Company

Table Serial Number _____

Ready for use

Your Hill HA90D comes ready to plug into any 115 outlet.



Specifications

Table Rating

400 lbs./Static Tested at 4x Rating/Rated at 250 lbs.*

Height Range - 22"-35, w/Trendelenburg - 24"-37"

Standard Width - 26"

Length Reclined - 71"

Table Base Skirting

Acrylic thermo-plastic

Foam

Ultra-Cell® for comfort and shape retention

Shipping Weight

Approximately 250 lbs

Electric Requirements

115 v~, 60 Hz., 10 A (2 motor), where specified - 230 v~, 50 Hz.

Receptacles in base - 115 v~, 250 Watt maximum

Note: Grounding reliability can only be achieved when the equipment is connected to an equivalent receptacle marked hospital-only or hospital-grade. There is no EMI concern related to the safe operation of this table.

Transportation and Storage Conditions

Ambient Temperature Range:

-30°C to +60°C (-22°F to 140°F)

Relative Humidity

0% to 90% (non-condensing)

*We have tested this model at 600 pounds. The UL standard requires static load testing at four times the rating stated on the label. The static load test was 1000 lbs. making the label rating 250 lbs.

Table Care

Cleaning Your Table

Your Hill Table comes upholstered in a highly durable vinyl material. Its appearance is guarded by Prefixx™ brand protective finish. Your upholstery may be cleaned with the Hill Laboratories Vinyl Cleaner or any non-abrasive household detergent without change to surface luster. Stubborn stains can be cleaned with most common solvent cleaners such as naphtha (lighter fluid), rubbing alcohol (IPA type), toluene, Coleman gas, turpentine (paint thinner), and nail polish remover (50/50 mixture of acetone and water) with no change to surface luster or color. One hundred percent acetone can also be used for short periods but it is suggested that it first be tested on an inconspicuous area of the table.

Caution: These solvents are highly flammable; exercise proper care when cleaning with these materials and do not use near open flame or intense heat. Wear rubber gloves during all cleaning activities. When cleaning other parts of your table (besides upholstery) use only nonabrasive household detergents and water.

Cautions and Symbol Explanation

Caution: Be sure to unplug your table before performing any maintenance on the table.

Caution: The table should be checked once a year to make sure all internal and external bolts are secure.

Caution: The table should be in its lowest height position when not attended.

Caution: In case of power outage, the table will rely on the generator back-up of the facility where the table is installed for powering the table to its lowest position.

Caution: The power cord shall be located to avoid objects being rolled over or placed on top of it and also to avoid people tripping over it. Damaged cords should be replaced with another of hospital grade.

Caution: Grounding reliability can only be achieved when the equipment is connected to an equivalent receptacle marked hospital only or hospital grade.

Special Caution:

To avoid injury or damage to the chair, NEVER SIT OR LEAN ON THE FOOT SECTION WHEN IT IS RAISED TO THE HORIZONTAL POSITION. The foot section is designed to support a seated patient's feet and lower legs only. To prevent any problem from occurring, adjust the foot section down before a patient exits the chair.



Symbols: - Each of the symbols below are used on your Hill model labeling. An explanation of each is below.



Attention Symbol
consult accompanying
documents



**Dangerous Voltage
Symbol**



**Type BF Applied
Part Symbol**



**Ground
Symbol**

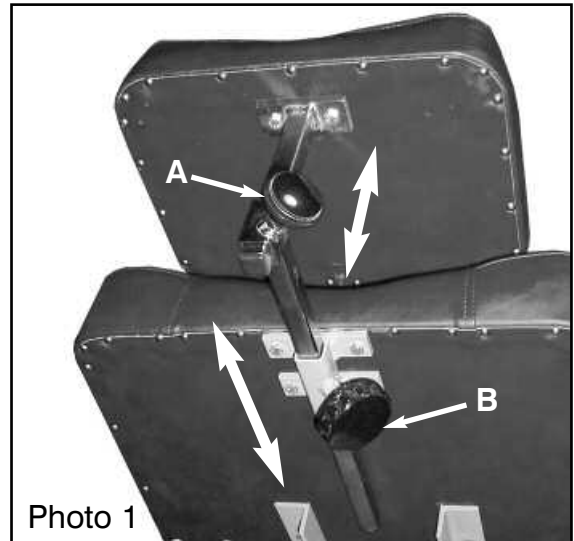


**Alternating Current
Symbol**

Table Features

Adjustable Headpiece

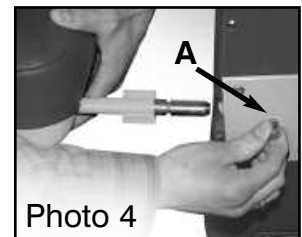
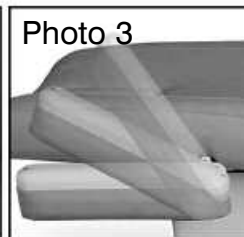
The adjusting headpiece can be moved in both the forward-backward direction and up-down. To adjust the forward position of the headpiece, loosen the black knob directly behind the head cushion ("A", photo 1) and adjust the cushion position. Then, retighten the knob. Repeat the same procedure for the up and down adjustment ("B", Photo 1). Rated at 20 pounds and tested with 160 pounds.



Fold-Down, Removeable Armrests

When fold-down armrests

are positioned in the normal position (Photo 2), they are easily folded back by lifting from the bottom until the armrests rest parallel with the back cushion (Photo 3). Rated at 10 pounds and tested with 80 pounds. Photo 4 shows how the armrests are removed by pulling out on a spring-pin (see "A") and then pulling out on the armrest.



Examination Armboard



The Examination Armboard inserts from

either side of the chair and tightens with a knob. It can be positioned and locked at various angles vertically and horizontally as shown in the photos left and right.

The Armboard is rated at 10 pounds/tested with 80 pounds.

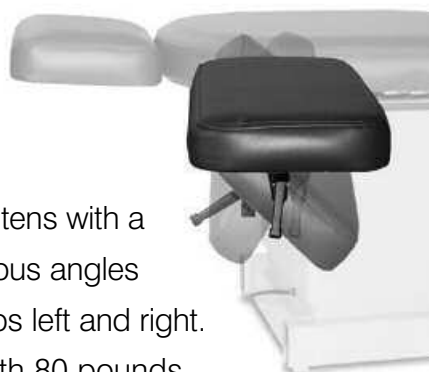


Table Features

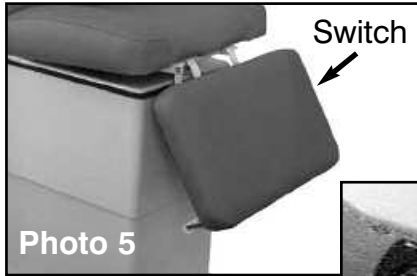


Photo 5

Fold-Down Foot Section

The angle of the Fold-Down Foot Section is controlled by a manual switch located under the right side as you face the end of the chair. Press and hold the switch to freely adjust the angle of the cushion. Release to lock the cushion in place.

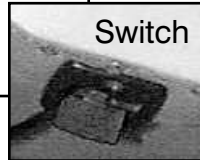


Photo 6

Gooseneck Lamp with Receptacle

To use the Gooseneck Lamp, insert the post into the mounted receiver and tighten the knob, turning clockwise. The lamp plugs into the 120 Volt, 5 amp. rated receptacle located at the head-end of the chair—in the center of the table frame. Be careful to position the lamp wire so that it does not interfere with free movement around the chair.

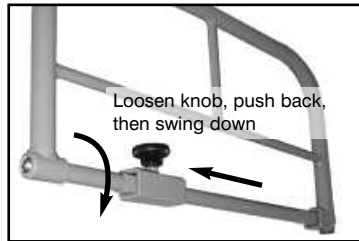


Photo 9

Foot Pedals

Your HA90D has up to four foot pedals mounted together on one control. The far left pedal, marked **Back**, controls the angle of the back cushion. The middle-left pedal, labeled **Tilt**, controls the tilt angle of the seat cushion (Caution: The lift back cushion needs to be tilted up a minimum of 15° to tilt the table into the trendelenburg position. To avoid injury or damage, the lift back should not be operated without the flat plastic panel in place on top of the plastic enclosure.) The middle-right pedal, marked **Height**, controls table elevation. The far right pedal, labeled **Foot**, controls the angle of the foot section from horizontal to 80° perpendicular.

Table Features



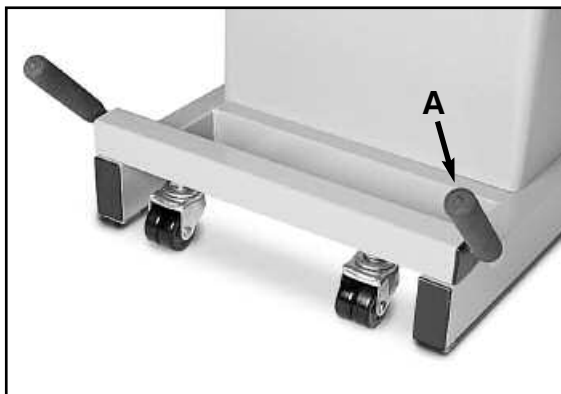
Side Rails

Optional side rails are mounted at each side of the seat cushion and very helpful for increased security while patient is posi-

tioned on the chair. To move the rails to the down position, loosen the black knob (see photo), push rail towards the back of the chair to disengage the square locking tube and then swing the rail to the down position.

Rocker Foot Pedal

The optional Rocker Foot Pedal operates the height of the table from either side of the table base. Press the right side of the pedal for "UP" and the left side for "DOWN". The pedal will return to the neutral position when released.



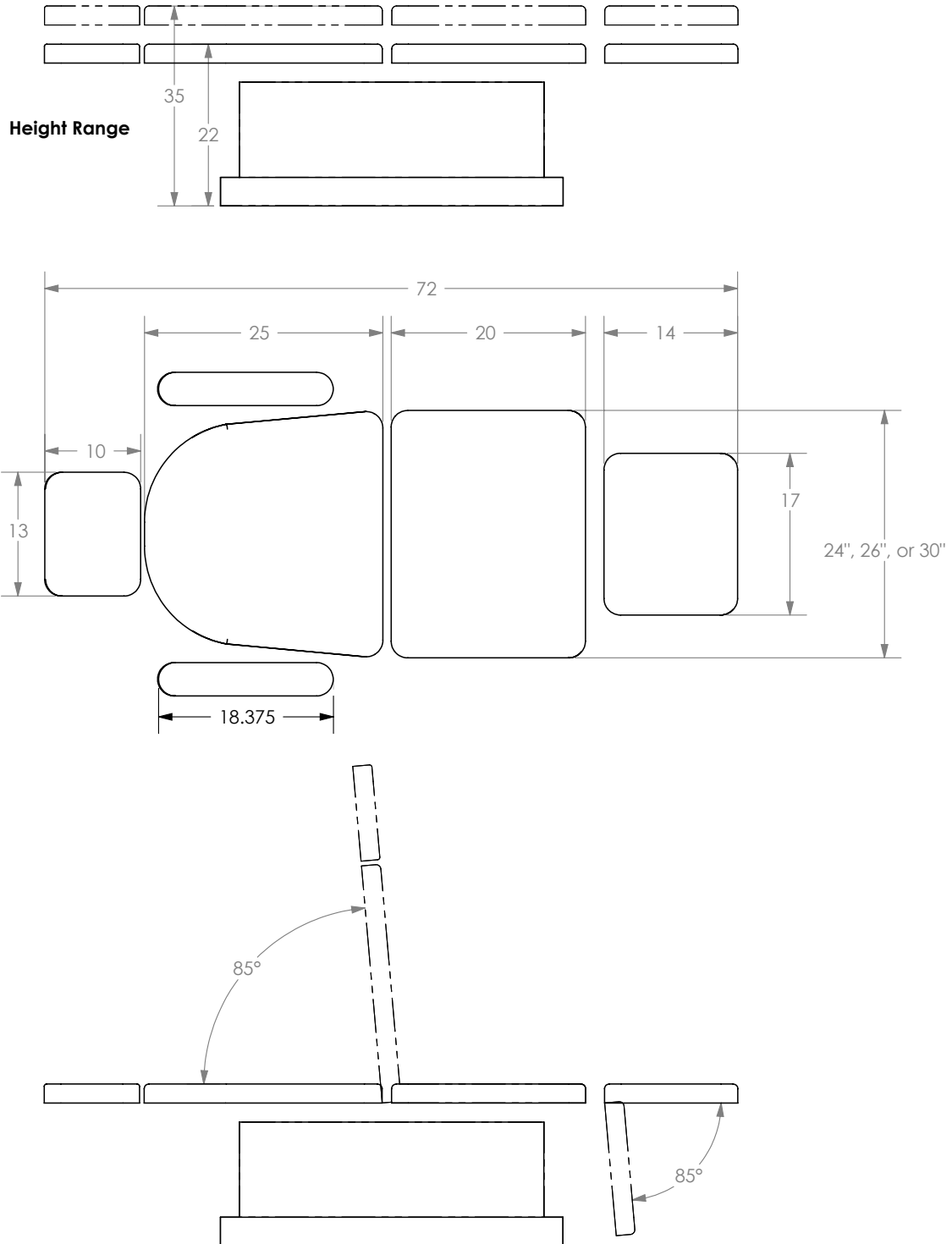
Casters

The optional casters are located at both ends of the table base and facilitate easy table movement. The photo shows the casters in the disengaged position. To move the table you must engage the casters at both ends of the base. To engage, push the handles ("A") down towards the floor - this will

lift the table approximately 1/2" from the floor. Repeat this step with the casters at the opposite end of the base. Move the table as desired. Be sure to disengage both sets of casters before using the table. **IMPORTANT:** Never move table with caster while anyone is on the table.

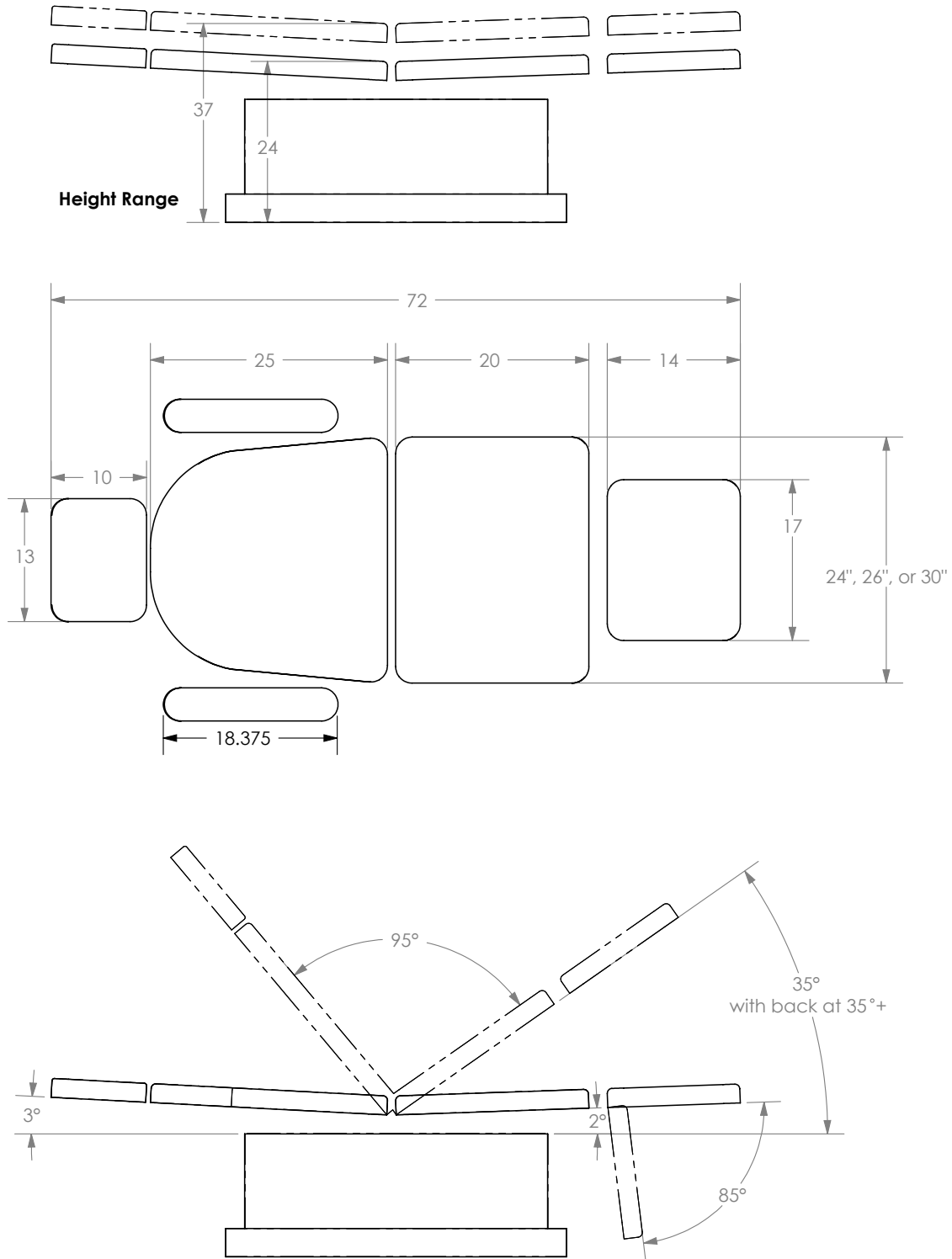
Diagrams

Derm - Dimensions



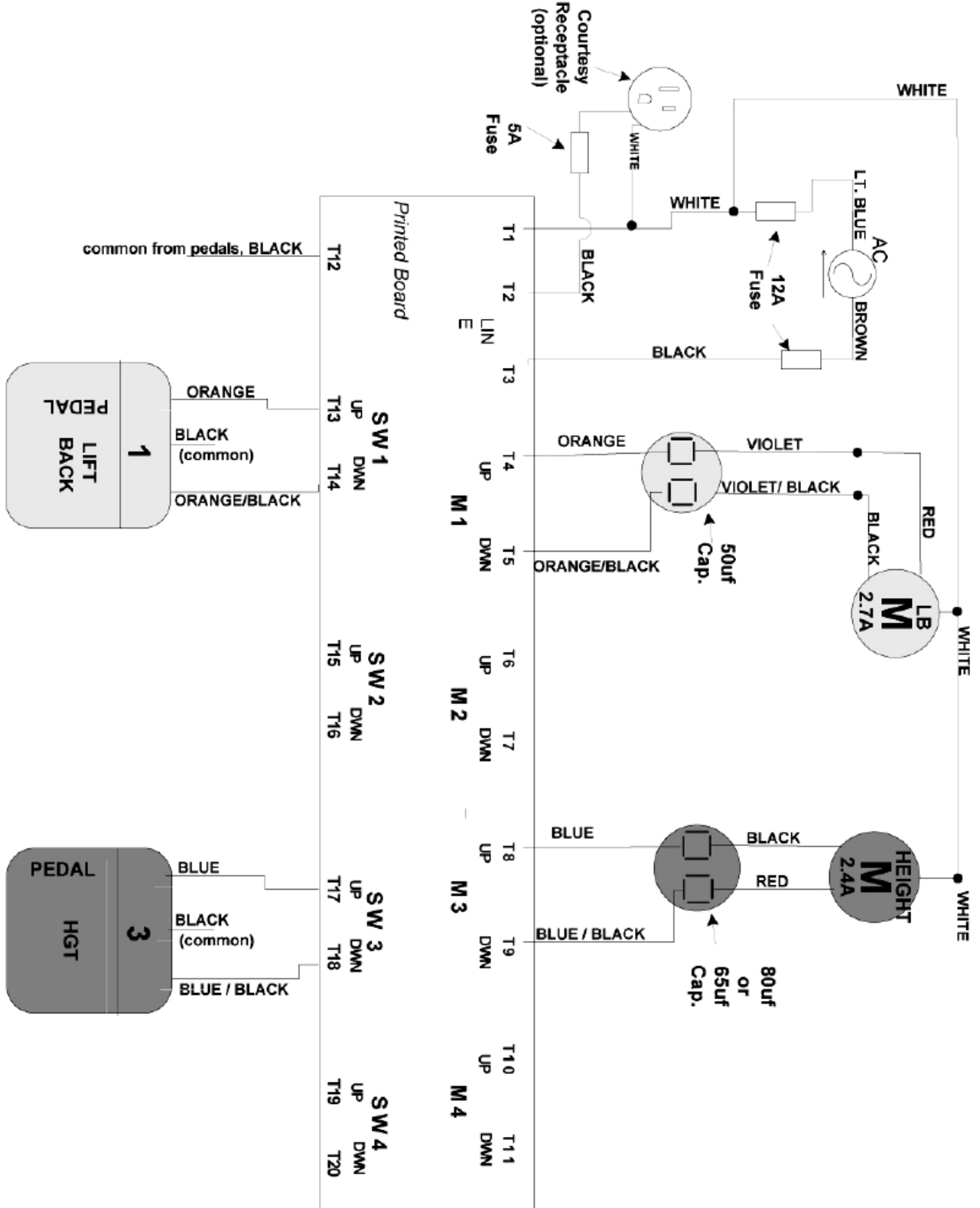
Diagrams

Derm, with Trendelenburg - Dimensions



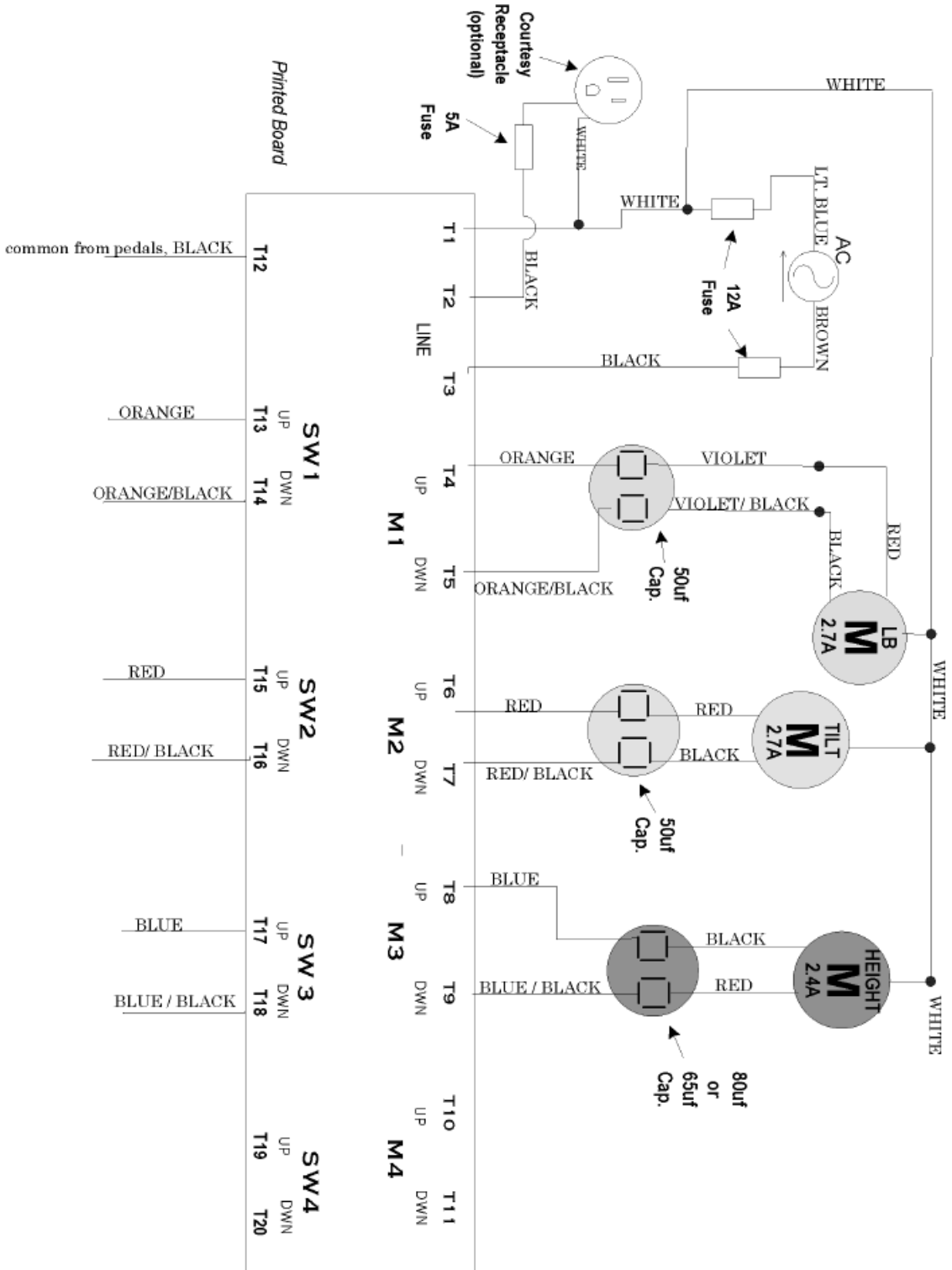
Wiring Diagrams

Two Motor Diagram



Wiring Diagrams

Three Motor Diagram

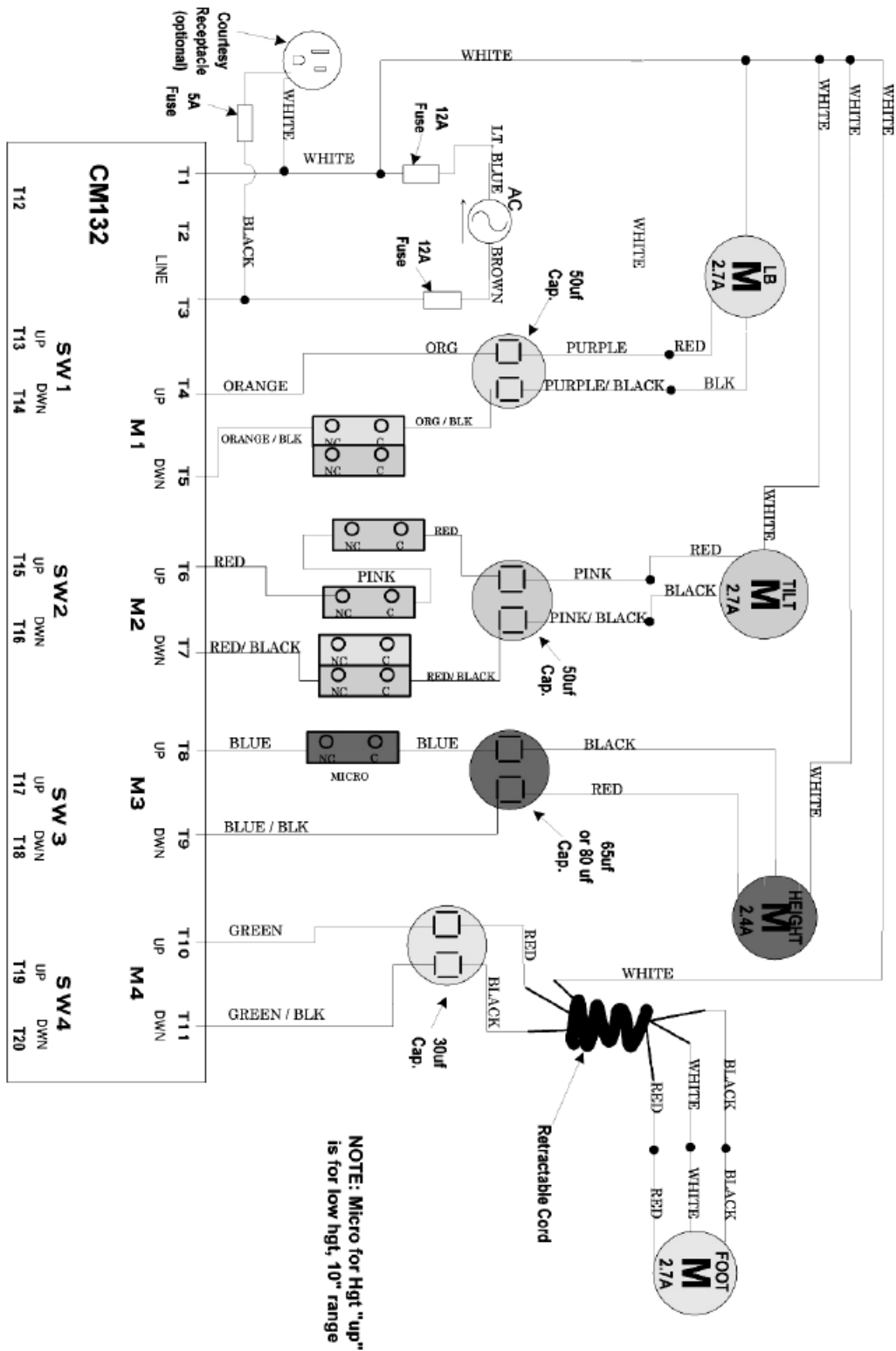


Use 12-Lead Cord

See Sheet 2 for pedal assembly wiring

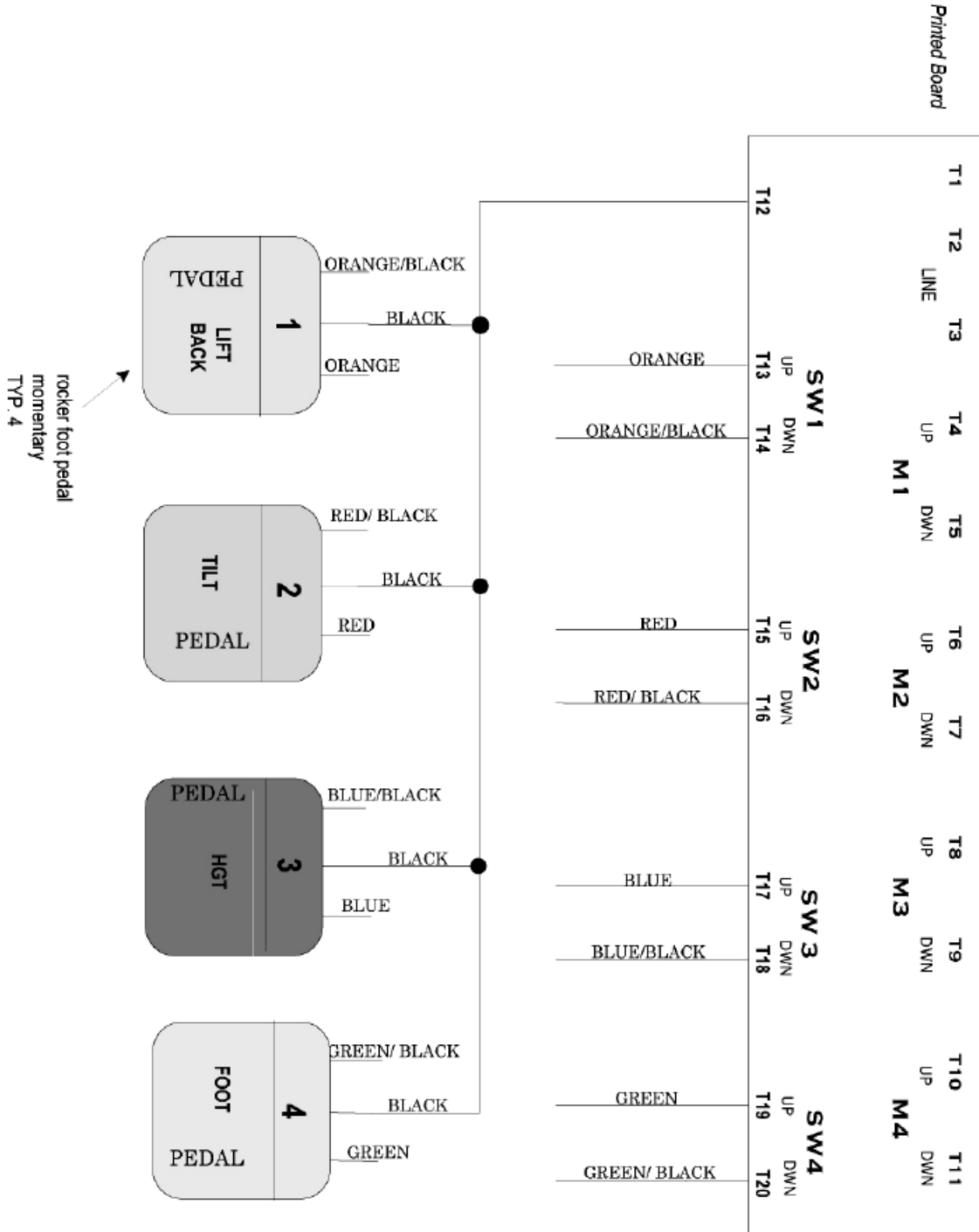
Wiring Diagrams

4 Motor Diagram. Part 1



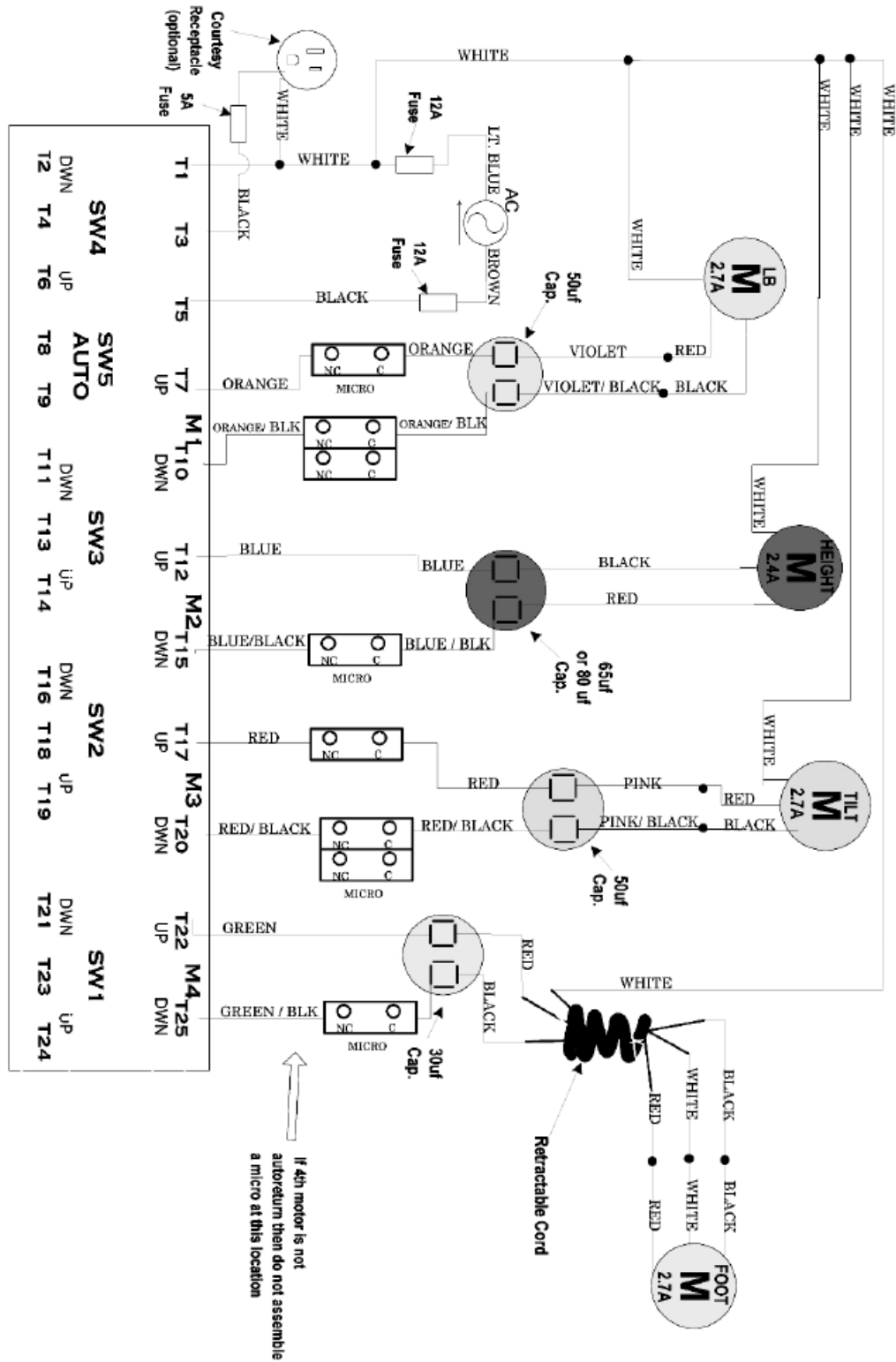
Wiring Diagrams

4 Motor Diagram. Part 2



Wiring Diagrams

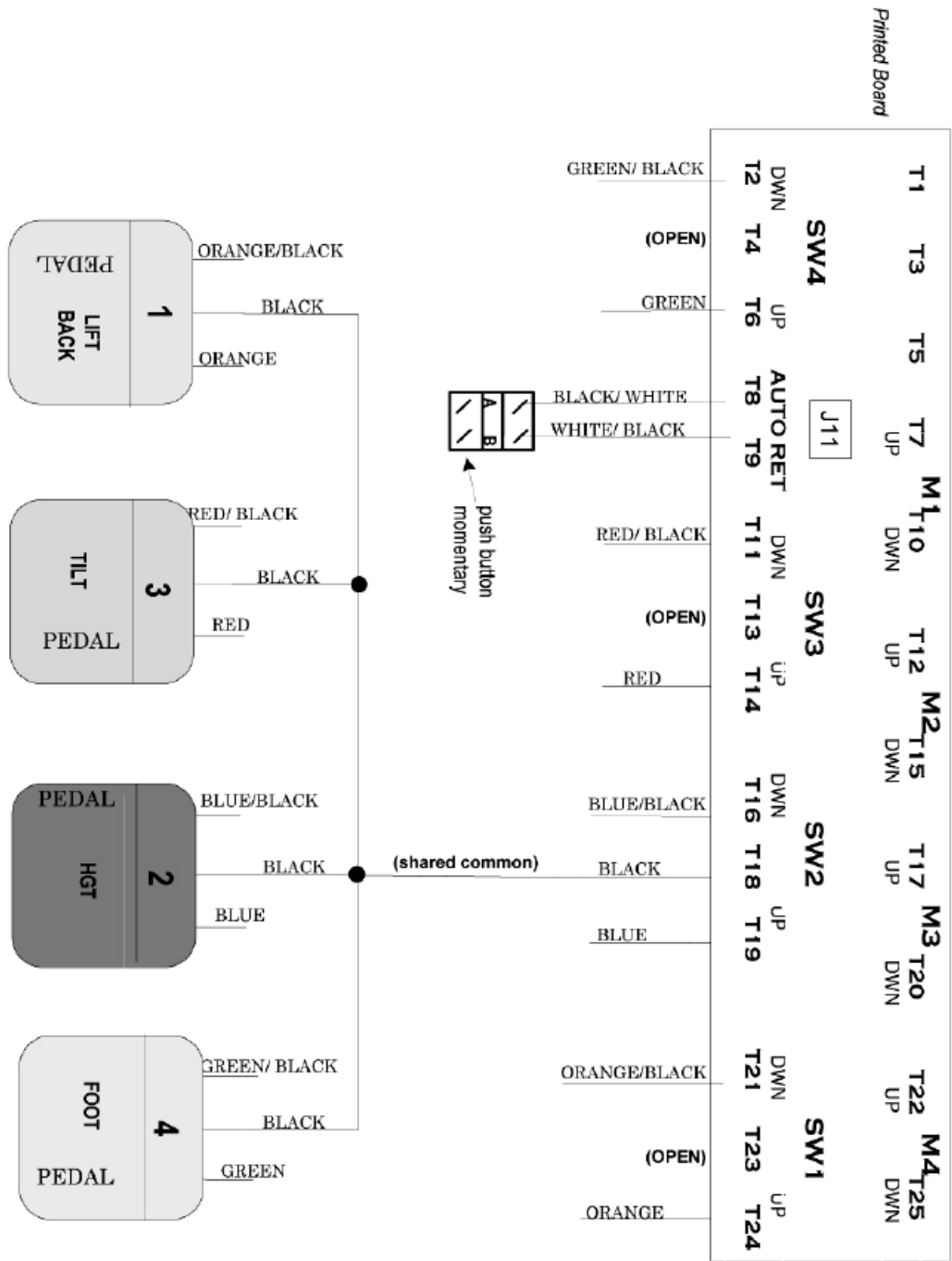
4 Motor Diagram with Auto-Return, Part 1



Wiring Diagrams

4 Motor Diagram with Auto-Return, Part 2

NOTE: 1. Join all pedal commons (black) in pedal assembly.
 2. When a shunt is placed across the two pins at J11 then only motors 1,2,3 will respond to autoreturn



Tables Manufactured by Hill Laboratories



Anatomotor
Massage w/Traction



90C



Air90C



Air-Flex
w/4 Drops



Hi-Lo



HA90



HA90 Lift Back



Mat Table



PT Mobilization



Rath Mechanical
McKenzie Technique



Repex Table
McKenzie Technique



PT Tilting



HA90E



90MD



90D Dermatology
Chair



90W Wound Care Chair



Podiatry Model



Counterstrain
(multi-positional)



HA90V Tilt
Vascular/Diagnostic



Posture Angel™
Active Rehab System



P.O. Box 2028, 3 Bacton Hill Road, Frazer, PA 19355 • phone 1-877-445-5020 • 610-644-2867 • fax 610-647-6297 • www.hilllabs.com