

Hill 90P

Podiatry Chair




Hill Laboratories
COMPANY

REFERENCE MANUAL

Congratulations!

And welcome to the Hill Laboratories family

Hill Laboratories Company has been making

quality a family business since 1945.

Your Hill Podiatry Chair is built in a tradition of

innovation and value that Hill Laboratories products

have become known for.

Our good name rests on the confidence that

your Hill Chair will provide you with solid, reliable service

for many years to come.

At Your Service

The Hill Laboratories Guarantee

Your Hill Laboratories Podiatry Chair has been thoroughly tested and inspected before shipment. All parts are guaranteed against defect in materials for one full year from date of purchase. During this period, any such defect will be remedied by Hill Laboratories or by a factory-authorized repair service without charge.

Tables damaged by mishandling or accident will be repaired at a reasonable charge.

All correspondence should be directed to your local dealer, or when this is not possible, to Hill Laboratories directly.

We appreciate your business and your confidence in our product. Our aim is to provide you with excellent service and satisfaction for many years to come.

Howard A. Hill

President of Hill Laboratories Company

Table Serial Number _____

Ready for use.

Adjustable Headpiece
Adjusts in height 8"
Adjusts in length 12"

Contour Upholstery
For style and added patient comfort

Fold-Down Armrests
Fold back out of the way when seating the patient

Adjustable Height Base
Positions the patient at just the right height

Electric Foot Pedals
Adjust the height, tilt and recline

Curtain
Adjusts in height

Flexible Arm Lamp
Optional feature with 110 outlet in base. Removable when not in use

Adjustable Foot Section
Can be locked at any angle down to 85°. Also extends out 12" for taller patients

Deep Adjustable Pan
Slides out from under foot section and adjusts in angle

Auto-Return Switch
Automatically repositions the chair for the next patient



Specifications

Table Rating

500 lbs./Static Tested at 1000 lbs.

Height Range - 24"-37"

Standard Width - 24"

Length Reclined - 71", Extends to 79"

Table Base Skirting

Acrylic thermo-plastic

Foam

Ultra-Cell® for comfort and shape retention

Shipping Weight

Approximately 250 lbs

Electric Requirements

115 v~, 60 Hz., 10 A, where specified - 230 v~, 50 Hz.
Receptacles in base - 115 v~, 250 Watt maximum

Note: Grounding reliability can only be achieved when the equipment is connected to an equivalent receptacle marked hospital only or hospital grade. There is no EMI concern related to the safe operation of this table.

Transportation and Storage Conditions

Ambient Temperature Range:

-30°C to +60°C (-22°F to 140°F)

Relative Humidity

0% to 90% (non-condensing)

Table Care

Table Care

Cleaning your Table

Standard Upholstery - Normal Care and Cleaning

Remove ordinary dirt and smudges with a mild soap and water solution and a clean soft cloth or towel. Dry with a soft lint-free cloth or towel.

Hill Laboratories also offers two excellent products, both available online at Shop.HillLabs.com:

- Hill Leather and Vinyl Cleaner (available in case of 4)
- Protex Disinfectant Spray (available in case of 4 and wipes)

For difficult stains, after using Hill Leather and Vinyl Cleaner, use one of the following non-abrasive cleaners with a soft cloth or damp sponge:

- Formula 409 All-Purpose Cleaner
- Fantastik Spray Cleaner
- Magic Eraser

Caution! Never use bleach, abrasive powder, steel wool, industrial strength or solvent cleaners.

Finesse Upholstery - Normal Care and Cleaning

Remove most ordinary smudges and dirt with a mild soap (like Joy, Dove or Ivory dishwashing liquids) and water solution and a clean soft cloth or towel. Dry with a soft lint-free cloth or towel.

Hill Laboratories also offers two excellent products, both available online at Shop.HillLabs.com:

- Hill Leather and Vinyl Cleaner (available in case of 4)
- Protex Disinfectant Spray (available in case of 4 and wipes)

For more difficult stains like oil, grease, crayon, lipstick, shoe or furniture polish

Use a mild petroleum solvent such as naphtha (lighter fluid) or mineral spirits (paint thinner). Lightly wipe the stain with a clean cloth moistened with solvent. Blot the area and allow to dry.

For Ink: Use one part Wisk detergent and one part rubbing alcohol. Dab lightly with a cloth which has been moistened with the solution—DO NOT RUB! As the ink loosens, blot the area with a dry cloth. Rinse with a cloth dampened in clean water and dry with a soft cloth.

Caution! Never use rubbing alcohol on Finesse except in the limited manner described above.

Caution and Symbol Explanation

Caution: Children should never be left alone in a room with the table but should always be accompanied by an adult.

Caution: Always unplug the table before performing any maintenance.

Caution: Check table once a year to make sure all internal and external bolts are secure.

Caution: The power cord should be located to avoid risk of tripping or having objects rolled over or placed on it. Damaged cords should be replaced with another of hospital grade.

Caution: Grounding reliability can only be achieved when connected to an equivalent receptacle marked hospital only or hospital grade.

Symbols - Each symbols below is used in your table labeling. An explanation of each is below.



Attention Symbol
consult accompanying documents



Dangerous Voltage Symbol



Type BF Applied Part Symbol



Ground Symbol



Alternating Current Symbol

Special Caution:

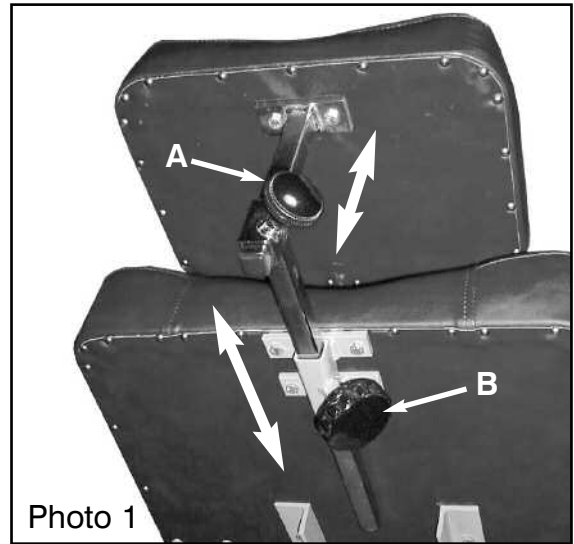
To avoid injury or damage to the chair, NEVER SIT OR LEAN ON THE FOOT SECTION WHEN IT IS RAISED TO THE HORIZONTAL POSITION. The foot section is designed to support a seated patient's feet and lower legs only. To prevent any problem from occurring, adjust the foot section down before a patient exits the chair.



Table Features

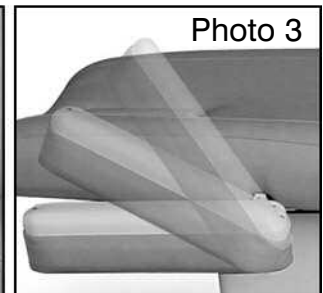
Adjustable Headpiece

The adjusting headpiece can be moved in both the forward-backward direction and up-down. To adjust the forward position of the headpiece, loosen the black knob directly behind the head cushion ("A", photo 1) and adjust the cushion position. Then, retighten the knob. Repeat the same procedure for the up and down adjustment ("B", Photo 1). Rated at 20 pounds and tested with 160 pounds.



Fold-Down Armrests

When the fold-down armrests are positioned in the normal position (as shown in Photo 2), they can be easily folded back by simply lifting from the bottom until the armrests are parallel with the back seat cushion as shown in Photo 3. Rated at 10 pounds and tested with 80 pounds.



Auto-Return Feature

The Auto-Return feature safely and conveniently returns the table to starting position by pressing the Auto-Return button on the right side of the foot pedal control panel (see Photo 4). Tap any pedal to stop auto-return.

IMPORTANT: Safety switches are located so that the automatic return motion will stop immediately should any object or person touch the cover of the base during the auto-return process.

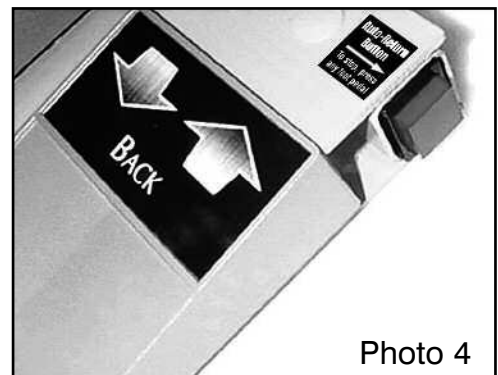
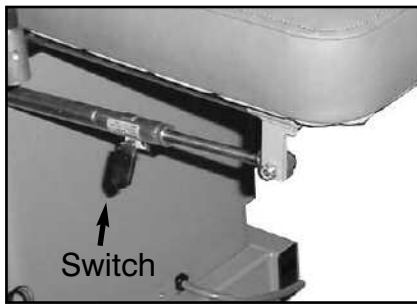


Table Features

Stainless Steel Pan

A stainless steel slide-out tray is positioned by simply pulling the tray frame forward to the desired position. The tray itself is fully removable for easy cleaning.



Fold-Down Foot Section

The angle of the Fold-Down Foot Section is controlled by a manual switch located under the left side as you face the end of the chair (see photo). Press and hold the switch to freely adjust the angle of the cushion. Release to lock the cushion in place.

Foot Pedals

Up to three foot pedals mounted together on one control. The far left pedal, marked **Back**, controls the angle of the back cushion. The middle-left pedal, labeled **Tilt**, controls the tilt angle of the seat cushion (Caution: The lift back cushion needs to be tilted up a minimum of 15° to tilt the table into the trendelenburg position. To avoid injury or damage, the lift back should not be operated without the flat plastic panel in place on top of the plastic enclosure.) The middle-right pedal, marked **Height**, controls table elevation of the chair.

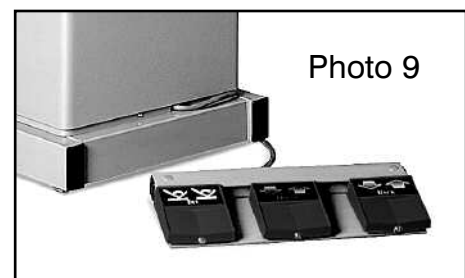
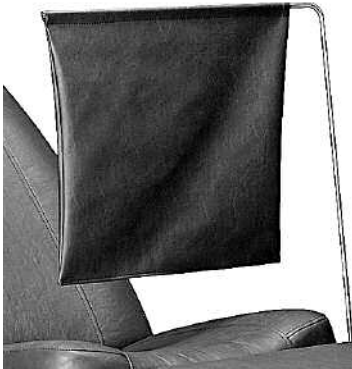


Table Features



Curtain (optional)

The curtain installs into a receiver on the side of the seat cushion. The curtain height is adjustable and locks in place by turning the locking knob on the receiver.

Leveling Feet

The HA90P is equipped with leveling feet under each corner of the chair's base. The leveling feet can be adjusted in height individually by turning the bolt directly above the foot with a wrench—clockwise for lower height; counter-clockwise for higher.



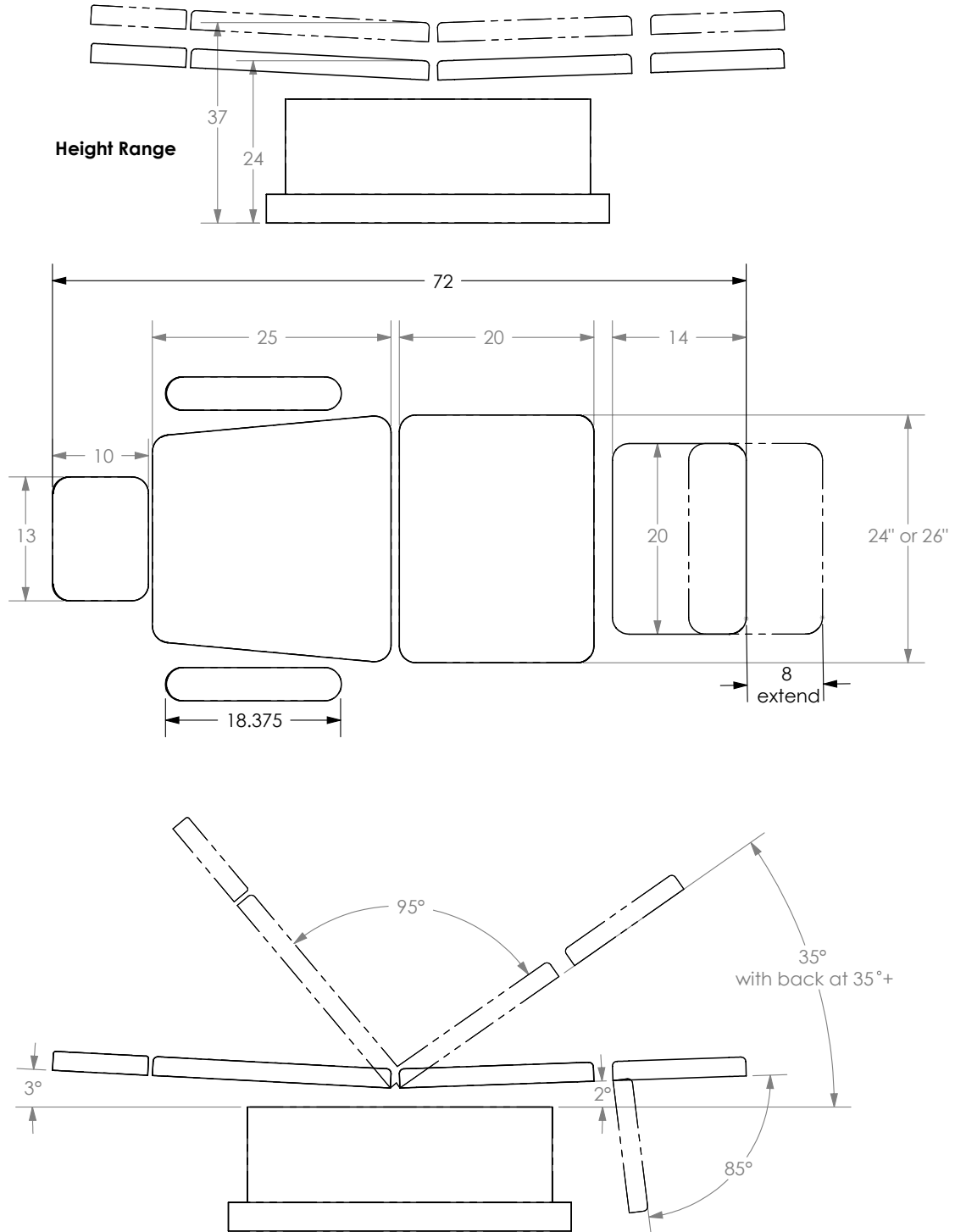
Gooseneck Lamp with Receptacle

To use the optional Gooseneck Lamp, insert the post into the mounted receiver and tightened the knob, turning clockwise. The lamp plugs into the 120 Volt, 5 amp. rated receptacle located at the head-end of the chair, in the center of the table frame. Be careful to position the lamp wire so that it does not interfere with free movement around the chair.



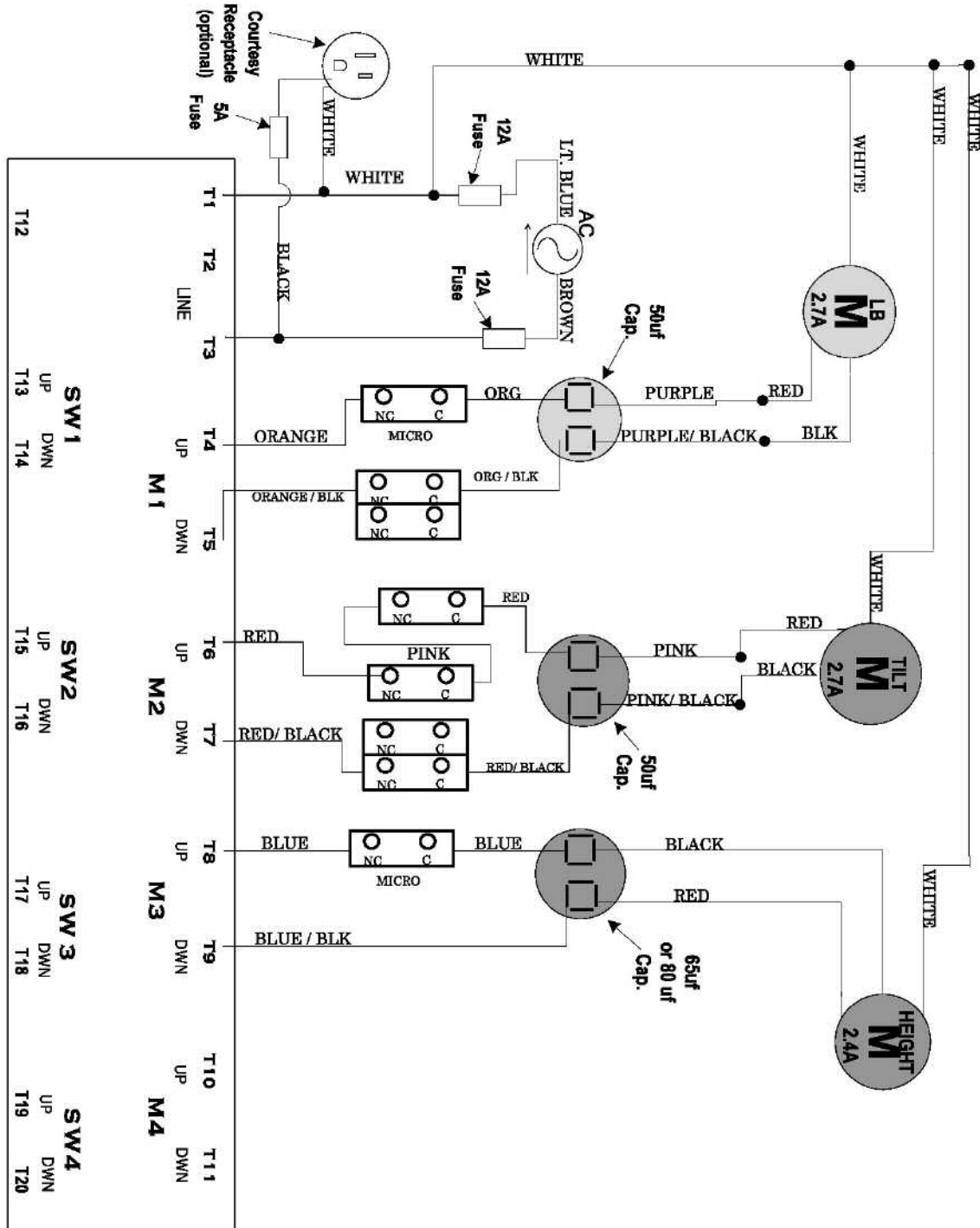
Diagrams

PODIATRY - Dimensions



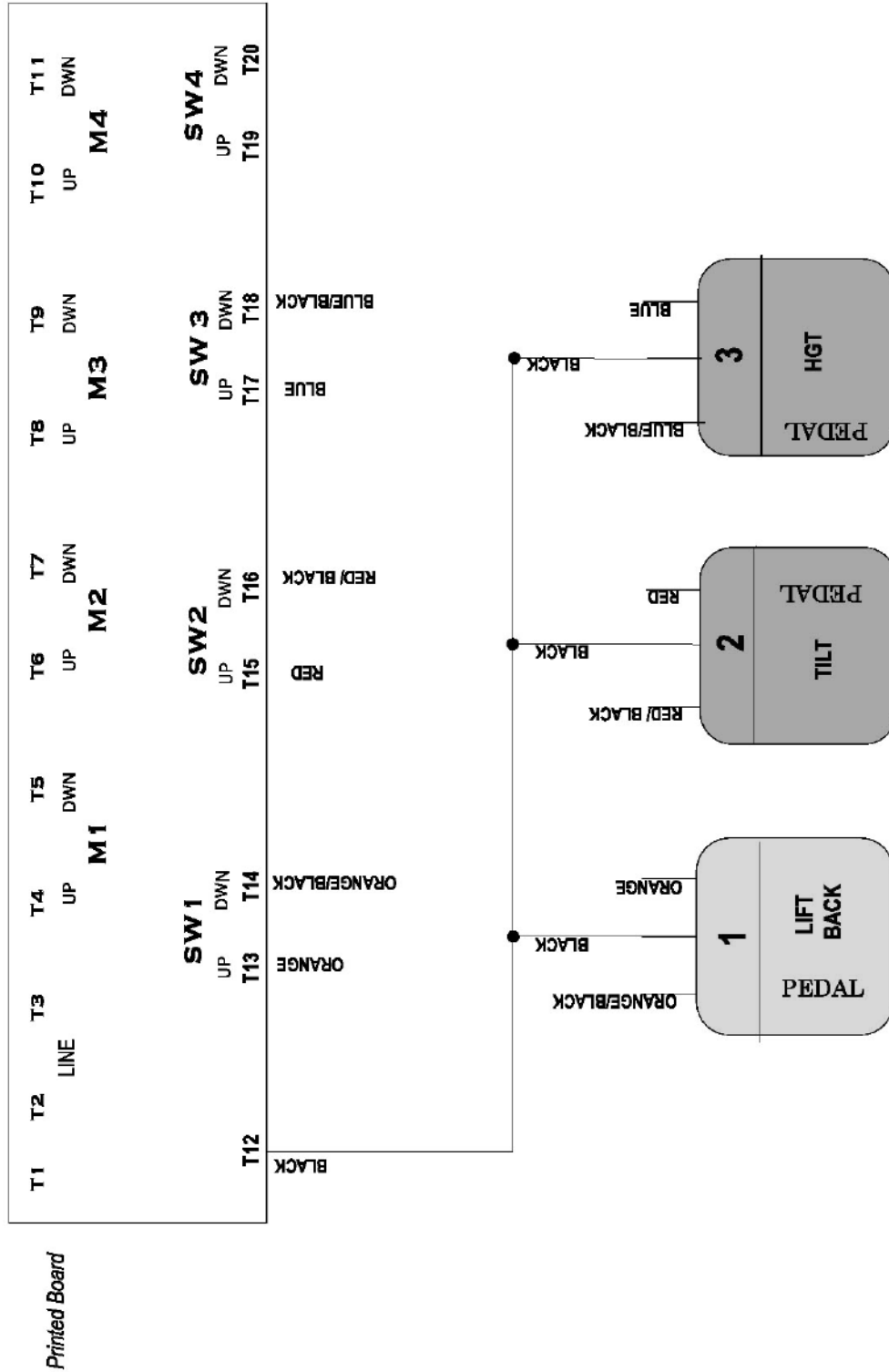
Wiring Diagrams

No Auto-Return Configuration, Part 1



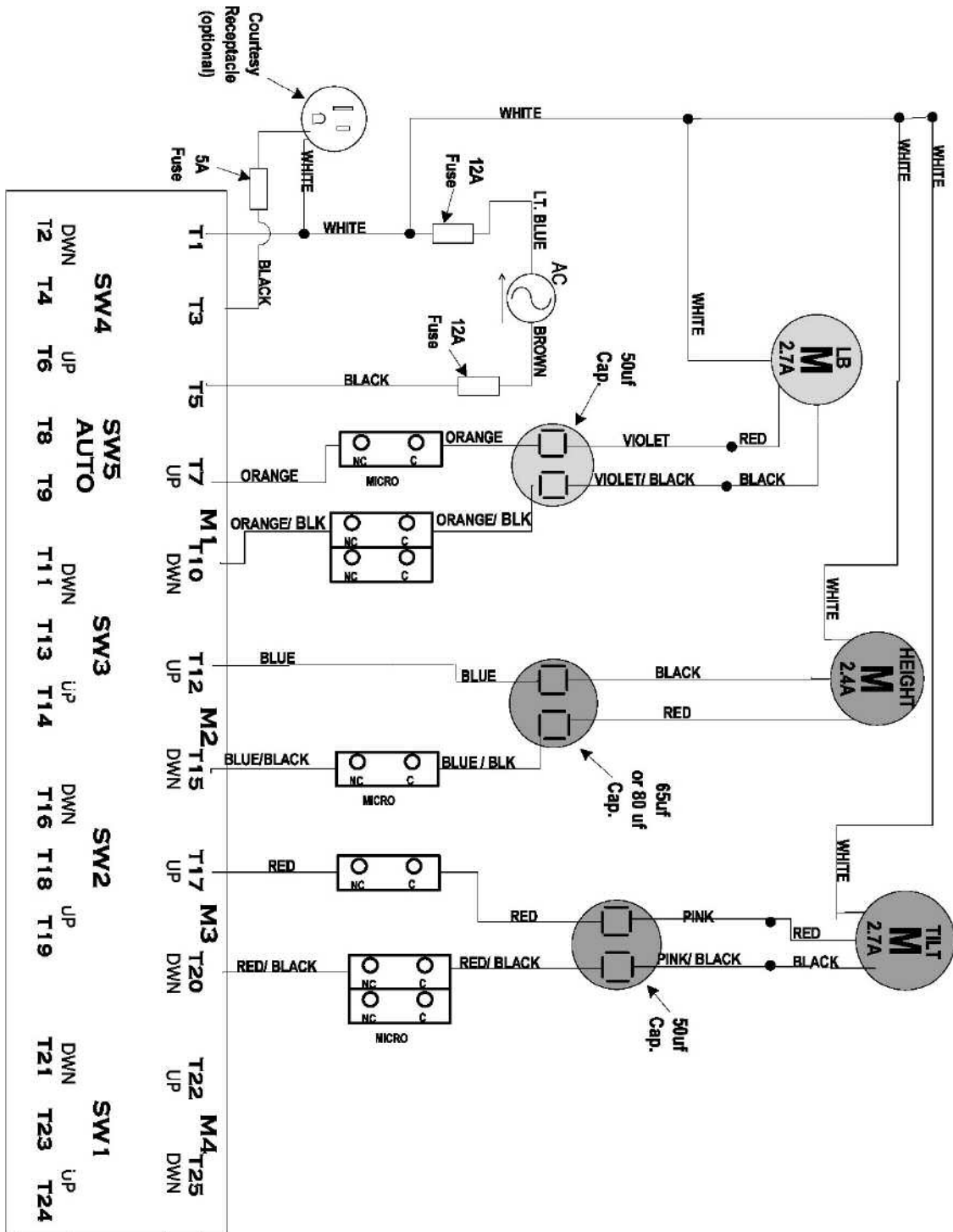
Wiring Diagrams

No Auto-Return Configuration, Part 2



Wiring Diagrams

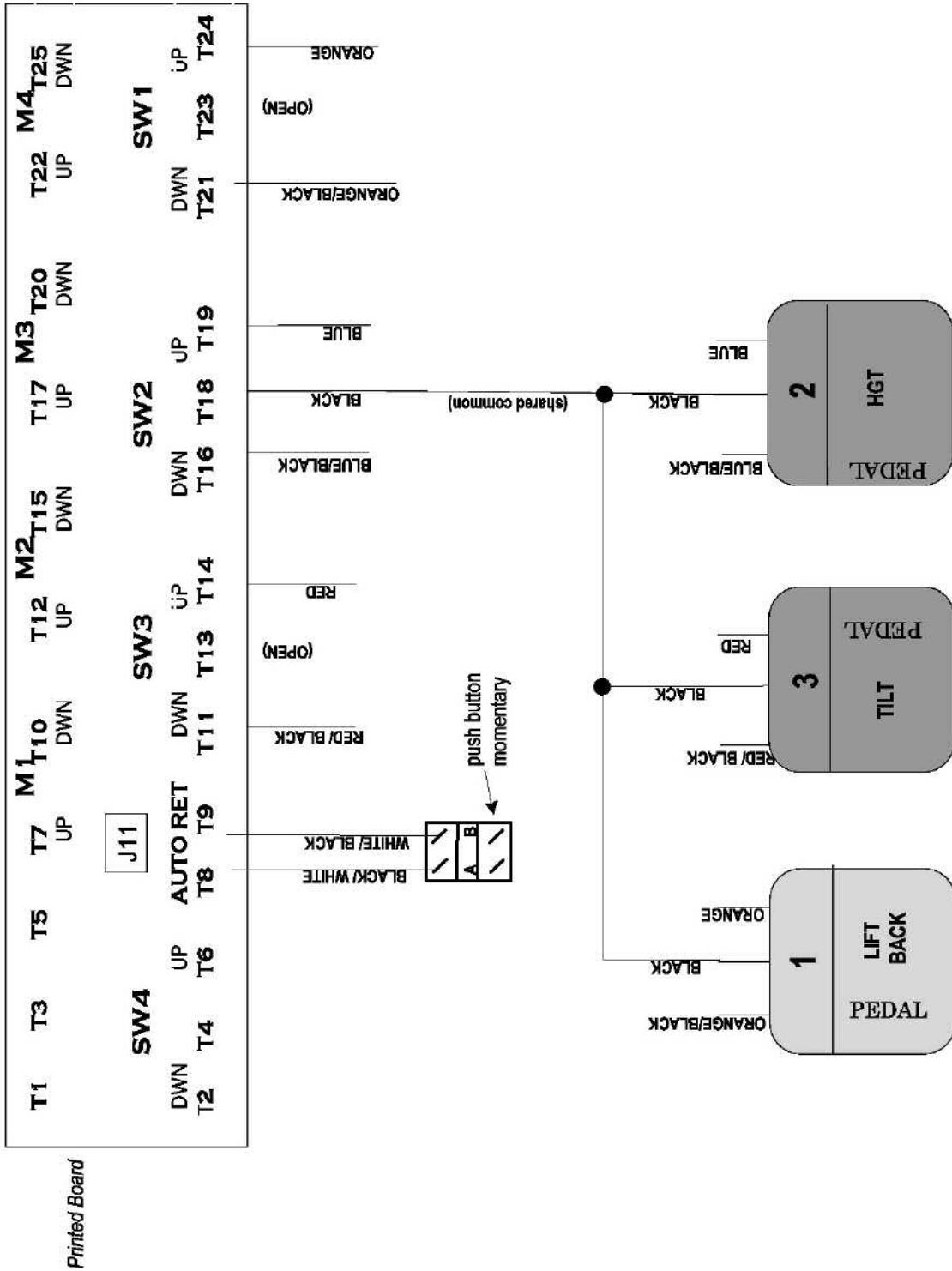
Auto-Return Configuration, Part 1



Wiring Diagrams

Auto-Return Configuration, Part 2

NOTE: Join all pedal commons (black) in pedal assembly.



Tables Manufactured by Hill Laboratories



Anatomotor
Massage w/Traction



90C



Air90C



Air-Flex
w/4 Drops



Hi-Lo



HA90



HA90 Lift Back



Mat Table



PT Mobilization



Rath Mechanical
McKenzie Technique



Repex Table
McKenzie Technique



PT Tilting



HA90E



90MD



90D Dermatology
Chair



90W Wound Care Chair



Podiatry Model



Counterstrain
(multi-positional)



HA90V Tilt
Vascular/Diagnostic



Neck Correct™
Cervical Spine Rehab



P.O. Box 2028, 3 Bacton Hill Road, Frazer, PA 19355 • phone 1-877-445-5020 • 610-644-2867 • fax 610-647-6297 • www.hilllabs.com