

# Hill 90W

Wound Care  
Chair



  
Hill Laboratories  
COMPANY

REFERENCE MANUAL

# *Congratulations!*

And welcome to the Hill Laboratories family

Hill Laboratories has been making quality a family business since 1945. Your new HA90W Wound Care Chair is built on an established Hill tradition of innovation and value. Our reputation rests on the confidence that your Hill Chair will strengthen this legacy and provide you with solid, reliable service for many years to come.

## **IMPORTANT!**

Your Hill Table or Chair has advanced electronics with critical functions that are controlled by a circuit board.

Since electrical spikes, surges and undervoltage can be detrimental to electronic components, we require, in order to maintain your warranty, that you protect your table with an automatic voltage regulator.

The APC LE1200 voltage regulator, rated at 1200 VA, is one example of a device that provides a minimum level of required protection.

# *At Your Service*

## The Hill Laboratories Guarantee

Your Hill Laboratories Wound Care Chair has been thoroughly tested and inspected before shipment. All parts are guaranteed against defect in materials for one full year from date of purchase. Tables damaged by mishandling or accident will be repaired at a reasonable charge. All correspondence should be directed to your local dealer, or when this is not possible, to Hill Laboratories directly.

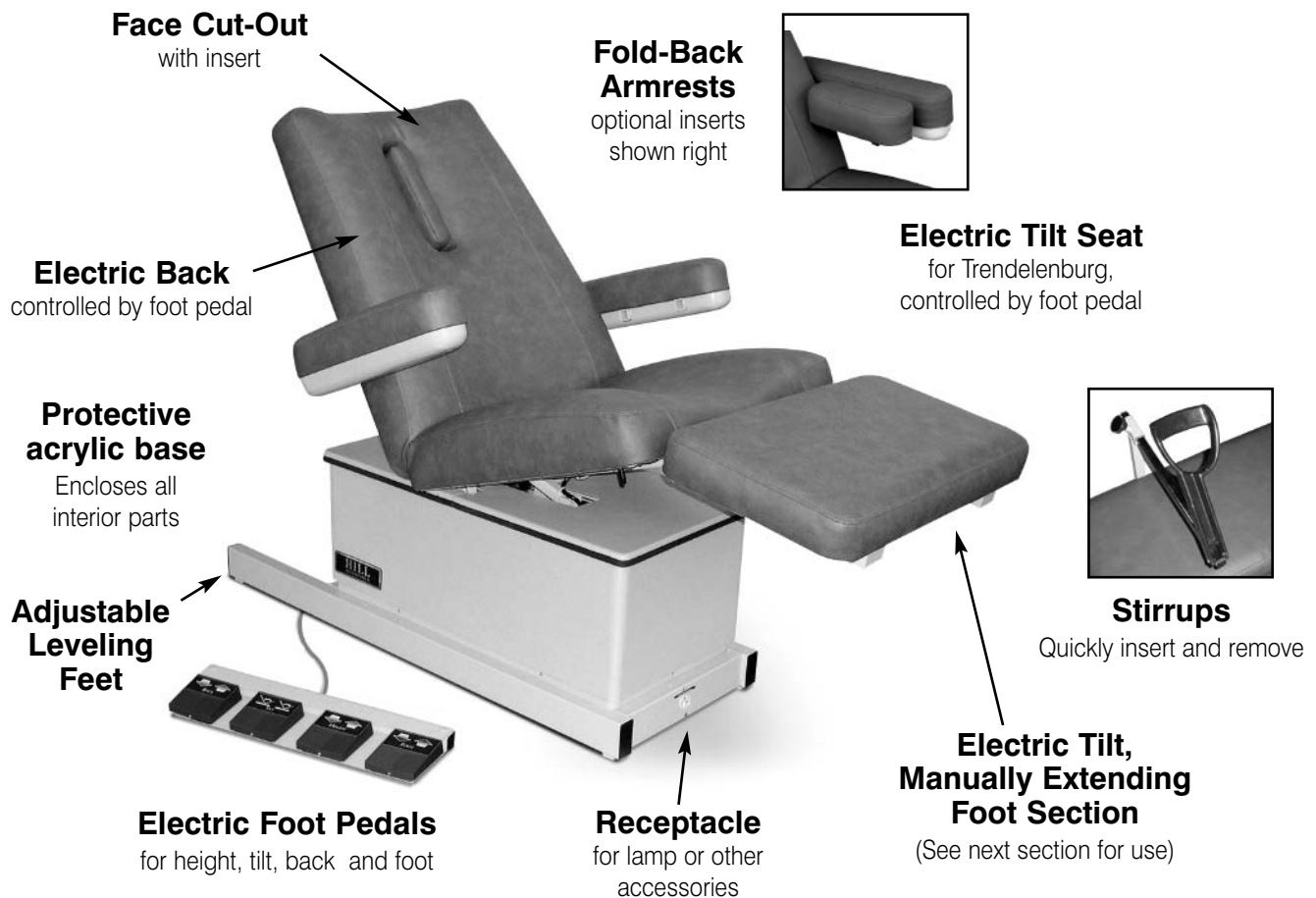
We appreciate your business and your confidence in our product. Our aim is to provide you with excellent service and satisfaction for many years to come.

President of Hill Laboratories Company

*Howard A. Hill*

Table Serial Number \_\_\_\_\_

# Ready for use



## Specifications

### Table Rating

600 lbs./Static Tested at 8x Rating/Rated at 250 lbs.\*

**Height Range** - 22"-32"

**Standard Width** - 26", optional 30"

**Length Reclined** - 71", Extends to 79"

### Table Base Skirting

Acrylic thermo-plastic

### Foam

Ultra-Cell® for comfort and shape retention

### Shipping Weight

Approximately 250 lbs

### Electric Requirements

115 v~ 60 Hz. 10 A, where specified - 230 v~, 50 Hz.  
Receptacles in base - 250 Watt maximum

**Note:** Grounding reliability can only be achieved when the equipment is connected to an equivalent receptacle marked hospital only or hospital grade. There is no EMI concern related to the safe operation of this table.

### Transportation and Storage Conditions

#### Ambient Temperature Range:

-30°C to +60°C (-22°F to 140°F)

#### Relative Humidity

0% to 90% (non-condensing)

\*We have tested this model at 600 pounds. The UL standard requires static load testing at four times the rating stated on the label. The static load test was 1000 lbs. making the label rating 250 lbs.

# Table Care

## Table Care

### Cleaning your Table

#### Standard Upholstery - Normal Care and Cleaning

Remove ordinary dirt and smudges with a mild soap and water solution and a clean soft cloth or towel. Dry with a soft lint-free cloth or towel.

**Hill Laboratories also offers two excellent products, both available online at [Shop.HillLabs.com](http://Shop.HillLabs.com):**

- Hill Leather and Vinyl Cleaner (available in case of 4)
- Protex Disinfectant Spray (available in case of 4 and wipes)

**For difficult stains, after using Hill Leather and Vinyl Cleaner, use one of the following non-abrasive cleaners with a soft cloth or damp sponge:**

- Formula 409 All-Purpose Cleaner
- Fantastik Spray Cleaner
- Magic Eraser

**Caution!** Never use bleach, abrasive powder, steel wool, industrial strength or solvent cleaners.

#### Finesse Upholstery - Normal Care and Cleaning

Remove most ordinary smudges and dirt with a mild soap (like Joy, Dove or Ivory dishwashing liquids) and water solution and a clean soft cloth or towel. Dry with a soft lint-free cloth or towel.

**Hill Laboratories also offers two excellent products, both available online at [Shop.HillLabs.com](http://Shop.HillLabs.com):**

- Hill Leather and Vinyl Cleaner (available in case of 4)
- Protex Disinfectant Spray (available in case of 4 and wipes)

**For more difficult stains like oil, grease, crayon, lipstick, shoe or furniture polish**

Use a mild petroleum solvent such as naphtha (lighter fluid) or mineral spirits (paint thinner). Lightly wipe the stain with a clean cloth moistened with solvent. Blot the area and allow to dry.

**For Ink:** Use one part Wisk detergent and one part rubbing alcohol. Dab lightly with a cloth which has been moistened with the solution—DO NOT RUB! As the ink loosens, blot the area with a dry cloth. Rinse with a cloth dampened in clean water and dry with a soft cloth.

**Caution!** Never use rubbing alcohol on Finesse except in the limited manner described above.

### Caution and Symbol Explanation

**Caution:** Children should never be left alone in a room with the table but should always be accompanied by an adult.

**Caution:** Always unplug the table before performing any maintenance.

**Caution:** Check table once a year to make sure all internal and external bolts are secure.

**Caution:** The power cord should be located to avoid risk of tripping or having objects rolled over or placed on it. Damaged cords should be replaced with another of hospital grade.

**Caution:** Grounding reliability can only be achieved when connected to an equivalent receptacle marked hospital only or hospital grade.

**Symbols - Each symbols below is used in your table labeling. An explanation of each is below.**



**Attention Symbol**  
consult accompanying documents



**Dangerous Voltage Symbol**



**Type BF Applied Part Symbol**



**Ground Symbol**



**Alternating Current Symbol**

### Special Caution:

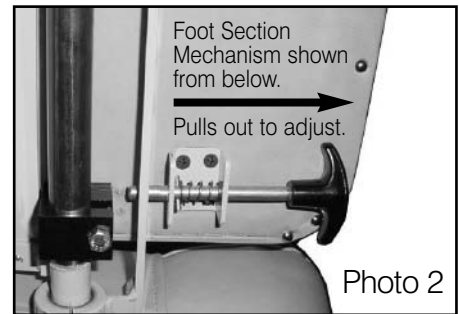
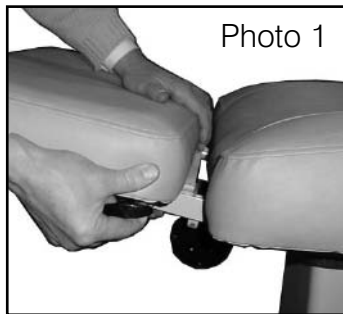
To avoid injury or damage to the chair, NEVER SIT OR LEAN ON THE FOOT SECTION WHEN IT IS RAISED TO THE HORIZONTAL POSITION. The foot section is designed to support a seated patient's feet and lower legs only. To prevent any problem from occurring, adjust the foot section down before a patient exits the chair.



# Table Features

## Extending the Foot Section

The adjusting foot section extends to support a patient's legs a full 8 inches. To adjust, locate the black handle under the right side of the cushion (see photo 1). Pull the spring-loaded handle out and hold in position while, with your other hand, pull the foot cushion to the desired length. Release the handle so that the mechanism inserts securely into one of the preset hole positions.

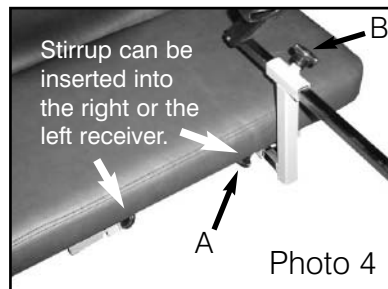
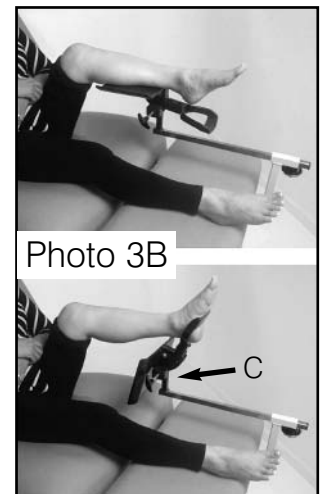


Rated at 20 pounds and tested with 160 pounds.

## Stirrup (optional)

Your Hill 90W Chair may be equipped with a stirrup/calf-support accessory (photo 3 or 3B). These can be inserted into the right or the left receiver located at the front of the foot section (Photo 4). To insert, loosen the handle on the receiver ("A", Photo 4), push the stirrup in to the desired length, and tighten the handle. Length of the stirrup can also be adjusted similarly with the top handle adjustment ("B", photo 4). To adjust calf-support to up or down position, pull handle ("C", Photo 3B), adjust position of support, then release handle.

Rated at 10 pounds and tested with 80 pounds.



## Armrest Inserts

Armrest Inserts (optional) provide sturdy forearm positioning for thinner patients. The inserts slide easily in and out of receivers found on the inside of each armrest.



## Adjustable Leveling Feet

Adjustable leveling feet are adjusted by turning clockwise to decrease the height and counterclockwise to increase the height.



# Table Features

## Face-Cut Out with Insert

Your Hill Wound Care Chair come standard with a face-cut-out for face-down procedures. The insert or filler-block slides easily into the cut-out when not in use.



Photo 7



Photo 8



Photo 9

## Fold-Down Armrests

When the fold-down armrests are positioned in the normal position (as shown in Photo 10 below), they can be easily folded back by simply lifting from the bottom until the armrests are parallel with the back seat cushion as shown to the left. Rated at 10 pounds and tested with 80 pounds.

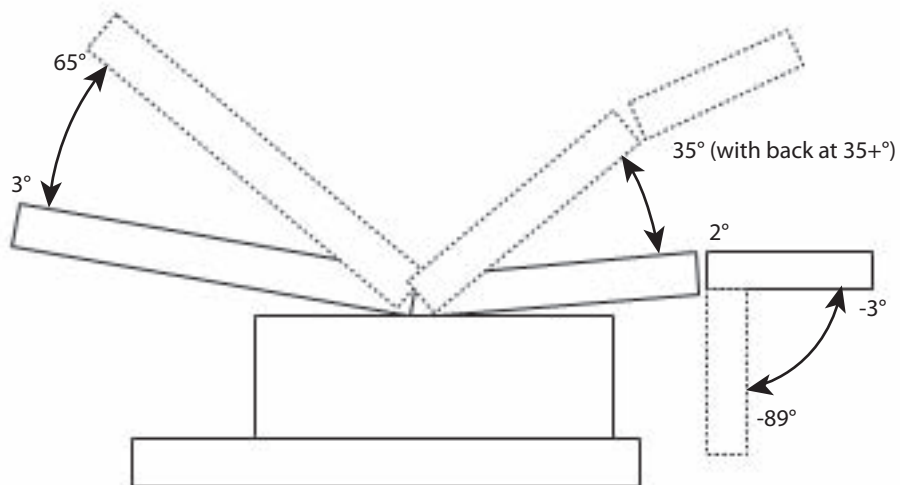
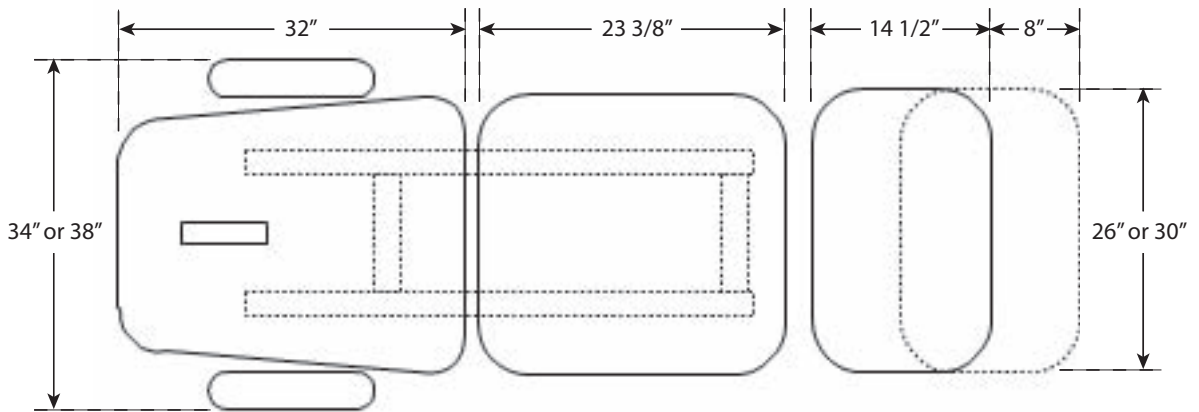
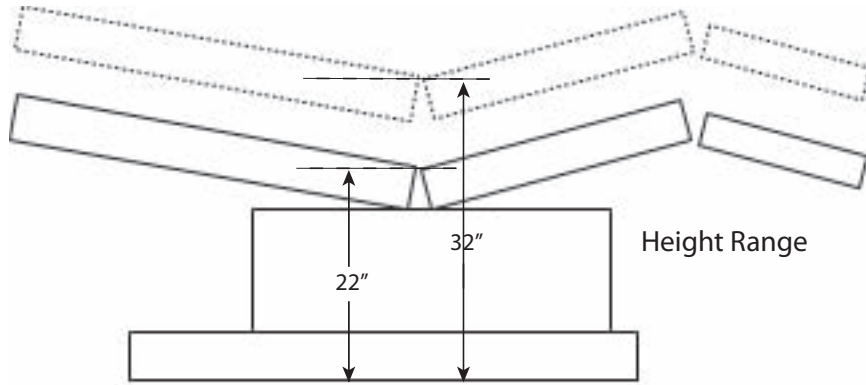
## Foot Pedals

Your Wound Care Chair has four separate foot pedals mounted together on one convenient control. The far left pedal is marked **Back** and independently controls the angle of the back cushion. The middle-left pedal is labeled **Tilt** and controls the tilt angle of the seat cushion (Caution: The lift back cushion needs to be tilted up a minimum of 15° in order to tilt the table into the trendelenburg position. To avoid injury or damage, the lift back should not be operated without the flat plastic panel in place on top of the plastic enclosure. See photo 10.). The middle-right pedal is marked **Height** and controls the movement of the table base up and down. The far right pedal is labeled **Foot**. This pedal controls the angle of the foot section from horizontal position to 90° perpendicular.



Photo 10

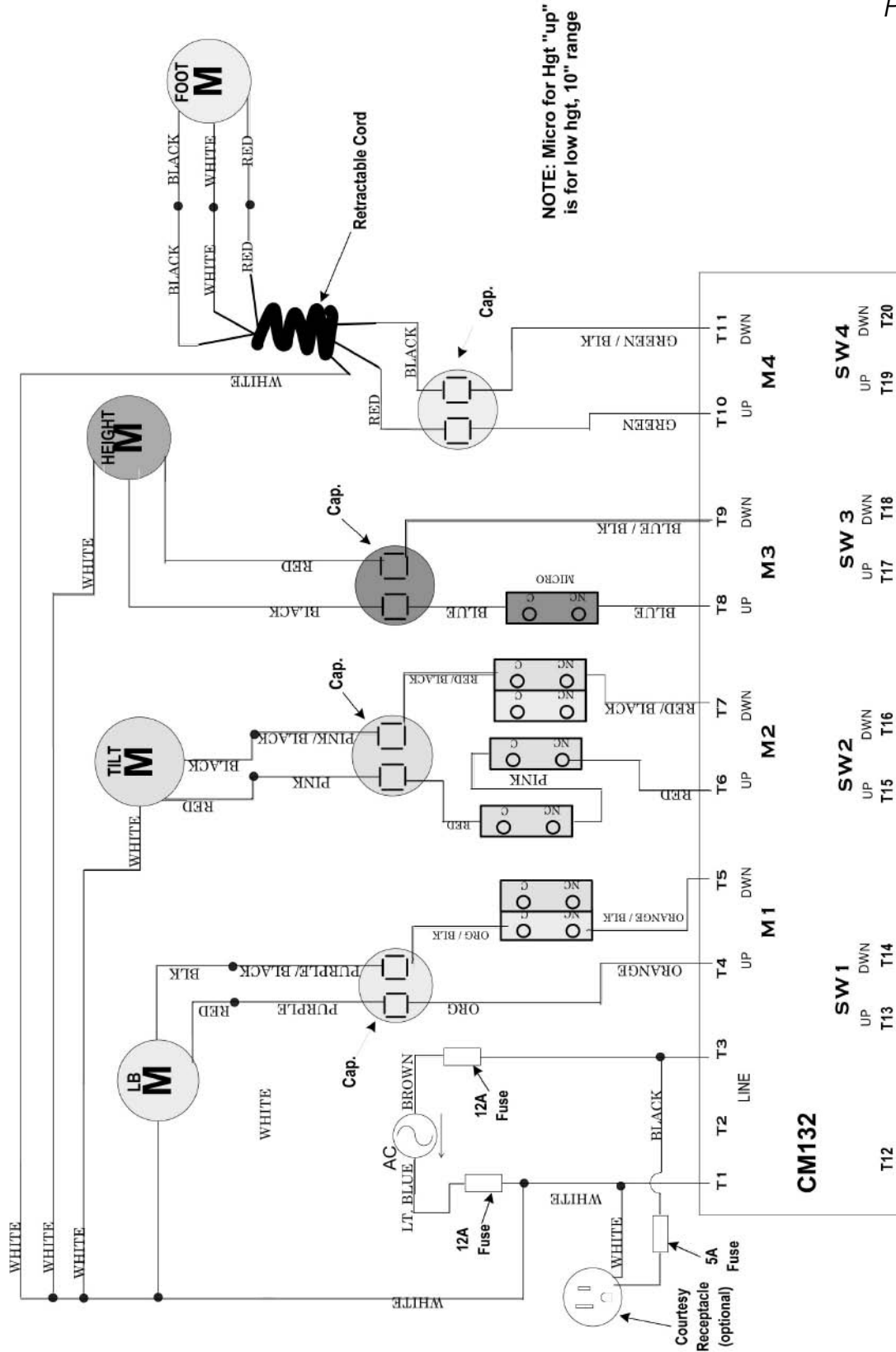
# Diagrams





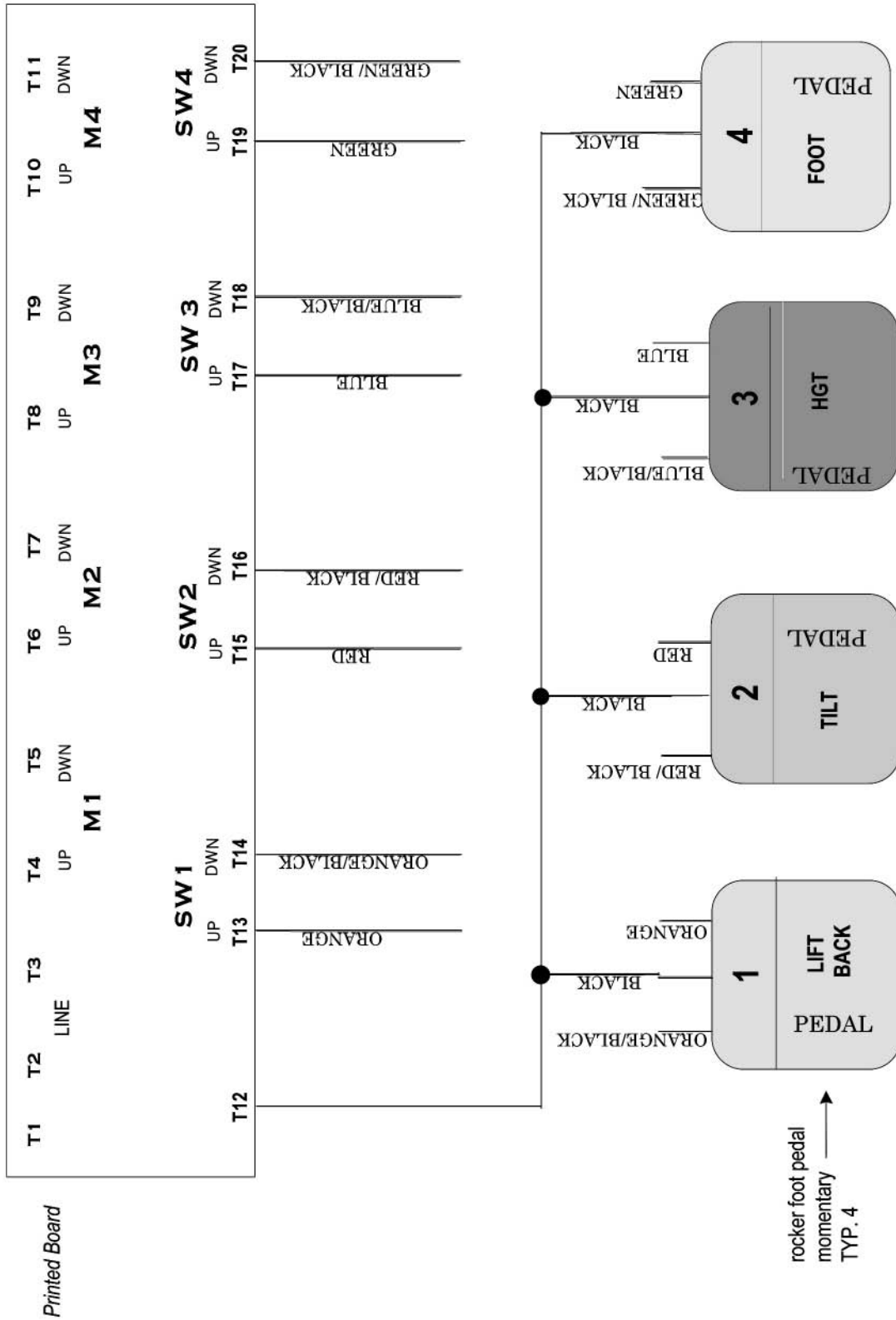
# Wiring Diagrams

Part 1



# Wiring Diagrams

## Part 2





**Additional service needed?**

**Contact your local dealer or reach us directly:**

Phone: 1-877-445-5020 • Fax: 610-647-6297 • Email: [Support@HillLabs.com](mailto:Support@HillLabs.com)

**Technicians are available 9 am - 4 pm E.S.T., Monday - Friday.**

# Tables Manufactured by Hill Laboratories



Anatomotor  
Massage w/Traction



AFT Automatic  
Flexion



Air90C



Air-Flex  
w/4 Drops



Hi-Lo



HA90



HA90 Lift Back



Mat Table



PT Mobilization



Rath Mechanical  
McKenzie Technique



Repex Table  
McKenzie Technique



PT Tilting



HA90E



90MD



90D Dermatology  
Chair



90W Wound Care Chair



Podiatry Model



Counterstrain  
(multi-positional)



HA90V Tilt  
Vascular/Diagnostic



HF54 Plus  
Hands-Free Ultrasound



P.O. Box 2028, 3 Bacton Hill Road, Frazer, PA 19355 • phone 1-877-445-5020 • 610-644-2867 • fax 610-647-6297 • [www.HillLabs.com](http://www.HillLabs.com)