

# Hill 90CT

Cast Table



  
Hill Laboratories  
COMPANY

REFERENCE MANUAL

# *Congratulations!*

And welcome to the Hill Laboratories family.

HillLaboratories Company has been making

quality a family business since 1945.

Your Hill HA90CT Cast Table is built in a tradition of

innovation and value that Hill Laboratories products

have become known for.

Our good name rests on the confidence that

your Hill Chair will provide you with solid, reliable service

for many years to come.

# Ready for use.



## Specifications

### CAPACITIES

Hill Laboratories Lift Tested at over 600 lbs.

Table Rating - 250 lbs. / Static Load Tested at 4x Rating

#### All following components tested at 8x their rating:

Foot Cushion - 20 lbs, Arm Rest - 10 lbs

Armboard - 10 lbs, Stirrups - 10 lbs

- Height Range - 22"-35" • Standard width 26", Optional 30", Length reclined - 6'1"
- Acrylic thermo-plastic base • Ultra-Cell® foam for comfort and shape retention
- Shipping weight approximately 250 lbs.
- 115 v~, 60 Hz., 5 A (single motor), 10 A (2 motor), where specified - 230 v~, 50 Hz.

(Note: Grounding reliability can only be achieved when the equipment is connected to an equivalent receptacle marked hospital only or hospital grade.)

# Table Care

## Cleaning Your Table

Your Hill Table comes upholstered in a highly durable vinyl material. Its appearance is guarded by Prefixx™ brand protective finish. Your upholstery may be cleaned with the Hill Laboratories Vinyl Cleaner or any non-abrasive household detergent without change to surface luster. Stubborn stains can be cleaned with most common solvent cleaners such as naphtha (lighter fluid), rubbing alcohol (IPA type), toluene, Coleman gas, turpentine (paint thinner), and nail polish remover (50/50 mixture of acetone and water) with no change to surface luster or color. One hundred percent acetone can also be used for short periods but it is suggested that it first be tested on an inconspicuous area of the table.

**Caution:** These solvents are highly flammable; exercise proper care when cleaning with these materials and do not use near open flame or intense heat. Wear rubber gloves during all cleaning activities. When cleaning other parts of your table (besides upholstery) use only nonabrasive household detergents and water.

## Cautions and Symbol Explanation

**Caution:** Be sure to unplug your table before performing any maintenance on the table.

**Caution:** The table should be checked once a year to make sure all internal and external bolts are secure.

**Caution:** The table should be in its lowest height position when not attended.

**Caution:** In case of power outage, the table will rely on the generator back-up of the facility where the table is installed for powering the table to its lowest position.

**Caution:** The power cord shall be located to avoid objects being rolled over or placed on top of it and also to avoid people tripping over it. Damaged cords should be replaced with another of hospital grade.

**Caution:** Grounding reliability can only be achieved when the equipment is connected to an equivalent receptacle marked hospital only or hospital grade.

**Symbols** - An explanation of each is below.



**Attention Symbol**  
consult accompanying  
documents



**Dangerous Voltage  
Symbol**



**Type BF Applied  
Part Symbol**



**Ground  
Symbol**

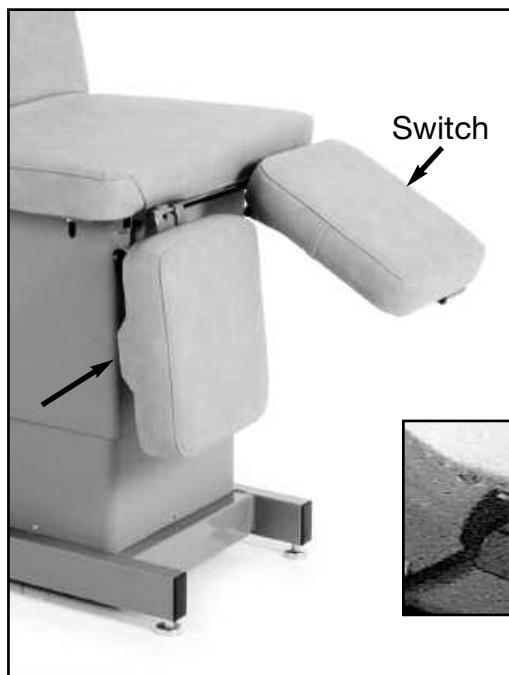


**Alternating Current  
Symbol**

# Table Features

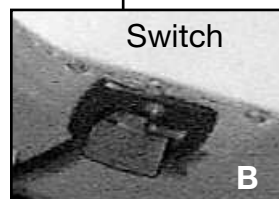
## Manual Lift Back

The Manual Lift Back is controlled by a switch located on the right side of the back cushion as you face the back of the chair. Press and hold the switch to freely adjust the angle of the cushion. Release to lock the cushion in place.



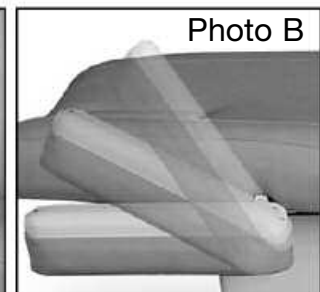
## Split Fold-Down Foot Section

The leg section on the 90CT is split offering independent right and left leg adjustment at any angle down to 90°. Each side is equipped with a manual switch-lock. Press and hold the switch (see "B") to freely adjust the angle of the cushion. Release to lock the cushion in place.



## Fold-Up Armrests

When the Fold-up armrests are positioned in the normal position (Photo A), they can be easily folded up by lifting from the bottom until the armrests are parallel with the back seat cushion (Photo B). Rated at 10 pounds and tested with 80 pounds.



# Table Features

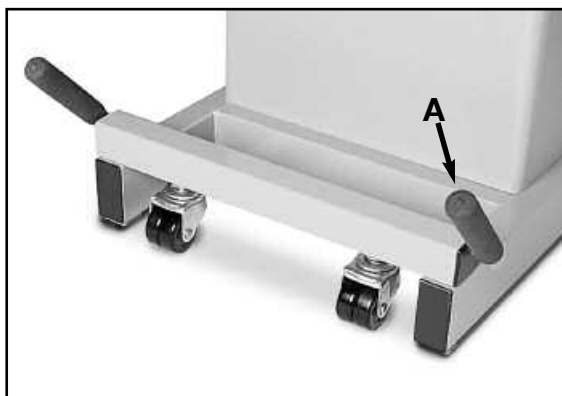
## Full Recline

The HA90CT can be positioned in a fully reclined position. The leg sections raise to a full horizontal and the fold-up armrests lay flat, parallel with the back cushion.



## Rocker Foot Pedal

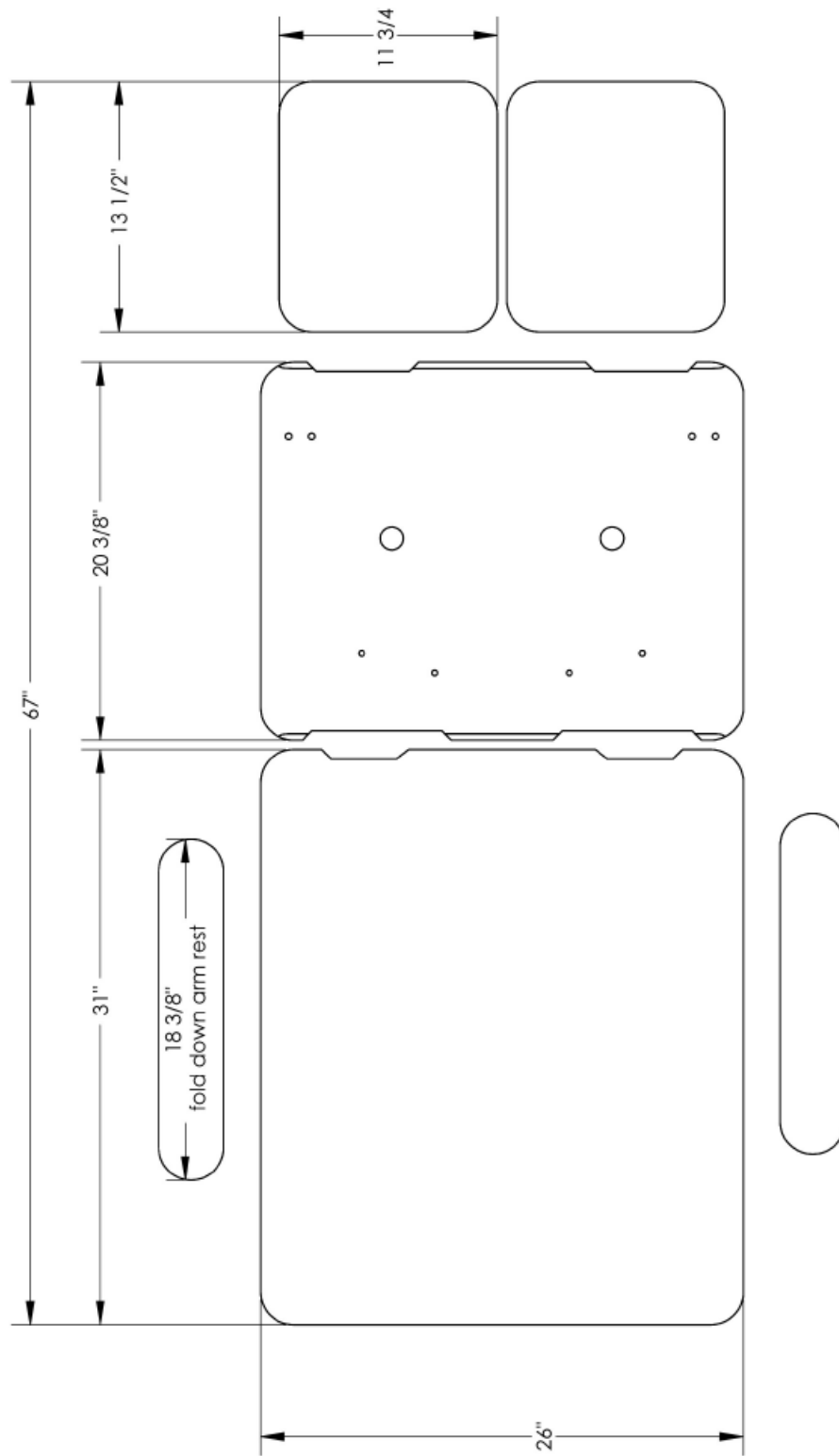
The Rocker Foot Pedal operates the height of the table from either side of the table base. Press the right side of the pedal for "UP" and the left side for "DOWN". The pedal will return to the neutral position when released.



## Casters (optional)

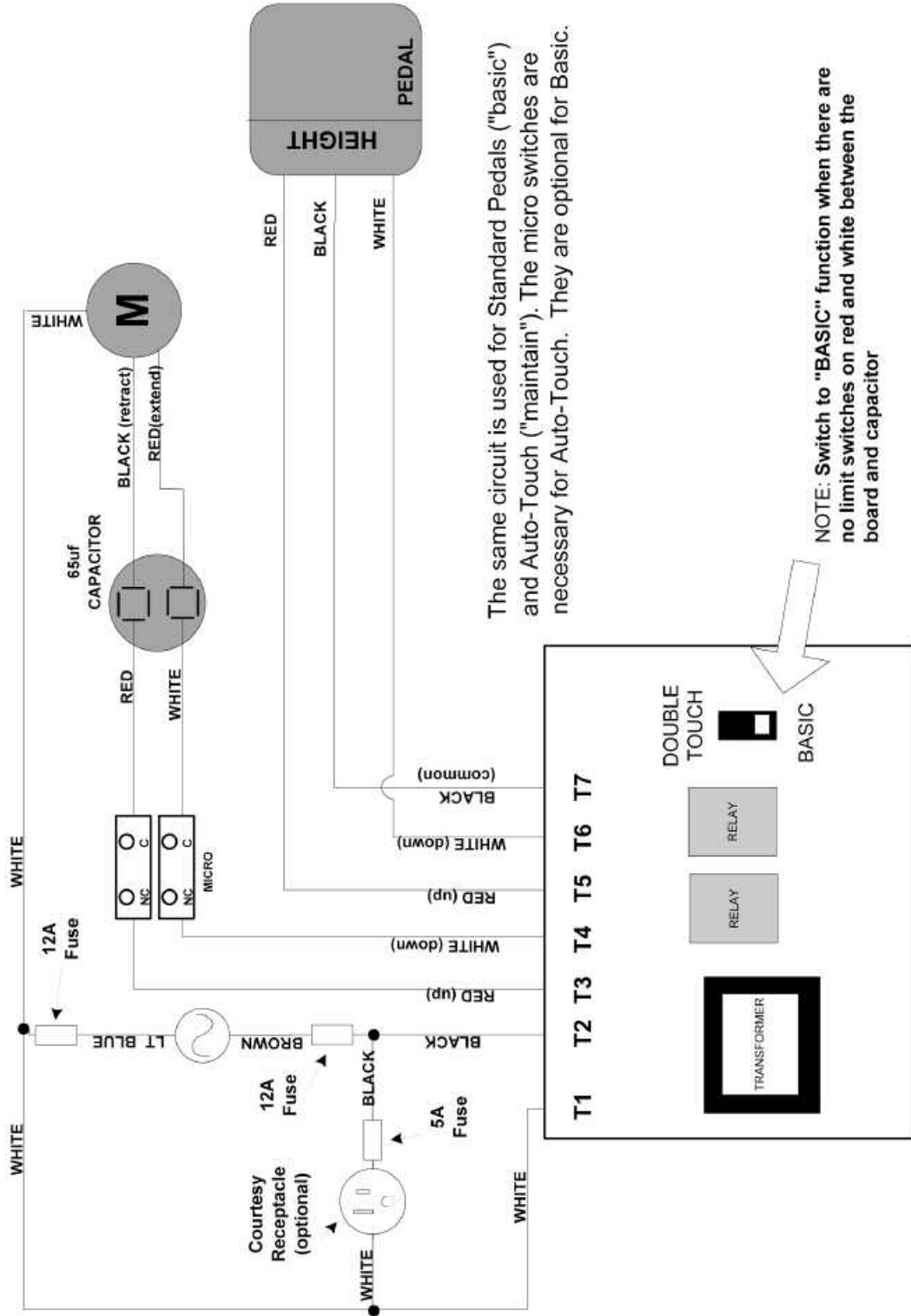
The optional casters are located at both ends of the table base and facilitate easy table movement. The photo shows the casters in the disengaged position. To move the table you must engage the casters at both ends of the base. To engage, push the handles ("A") down towards the floor - this will lift the table approximately 1/2" from the floor. Repeat this step with the casters at the opposite end of the base. Move the table as desired. Be sure to disengage both sets of casters before using the table. IMPORTANT: Never move table with caster while anyone is on the table.

# Diagrams



# Wiring Diagrams

## Single Motor Diagram



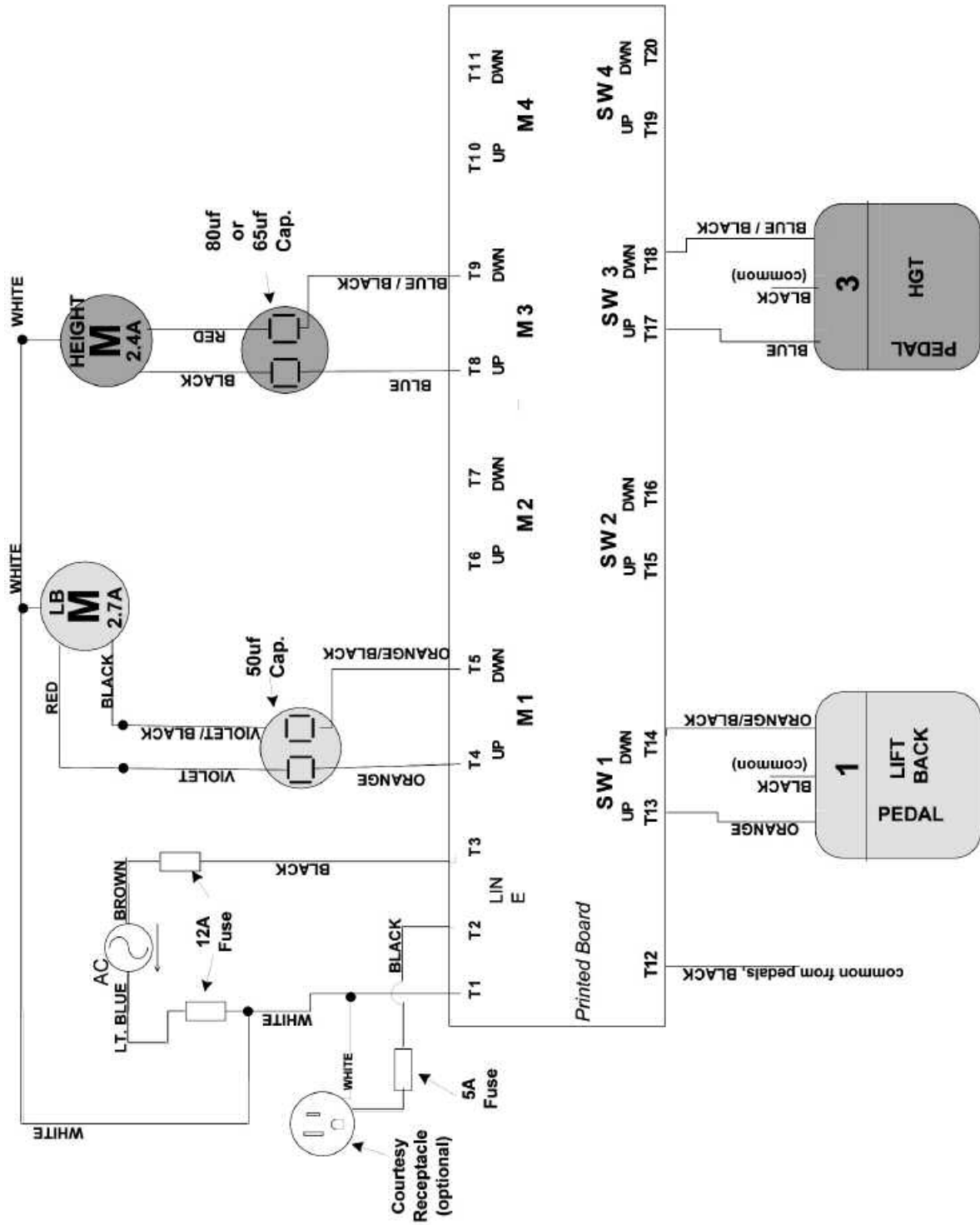
The same circuit is used for Standard Pedals ("basic") and Auto-Touch ("maintain"). The micro switches are necessary for Auto-Touch. They are optional for Basic.

NOTE: Switch to "BASIC" function when there are no limit switches on red and white between the board and capacitor



# Wiring Diagrams

## Two Motor Diagram



# Tables Manufactured by Hill Laboratories



Anatomotor  
Massage w/Traction



90C



Air90C



Air-Flex  
w/4 Drops



Hi-Lo



HA90



HA90 Lift Back



Mat Table



PT Mobilization



Rath Mechanical  
McKenzie Technique



Repex Table  
McKenzie Technique



PT Tilting



HA90E



90MD



90D Dermatology  
Chair



90W Wound Care Chair



Podiatry Model



Counterstrain  
(multi-positional)



HA90V Tilt  
Vascular/Diagnostic



Occupational  
Table

# *At Your Service*

## The Hill Laboratories Guarantee

Your Hill Laboratories HA90CT has been thoroughly tested and inspected before shipment. All parts are guaranteed against defect in materials for one full year from date of purchase. During this period, any such defect will be remedied by Hill Laboratories or by a factory-authorized repair service without charge.

Tables damaged by mishandling or accident will be repaired at a reasonable charge.

All correspondence should be directed to your local dealer, or when this is not possible, to Hill Laboratories directly.

We appreciate your business and your confidence in our product. Our aim is to provide you with excellent service and satisfaction for many years to come.

*Howard A. Hill*

President of Hill Laboratories Company

Table Serial Number \_\_\_\_\_



P.O. Box 2028, 3 Bacton Hill Road, Frazer, PA 19355 • phone 1-877-445-5020 • 610-644-2867 • fax 610-647-6297 • [www.hilllabs.com](http://www.hilllabs.com)